



SCP-4006

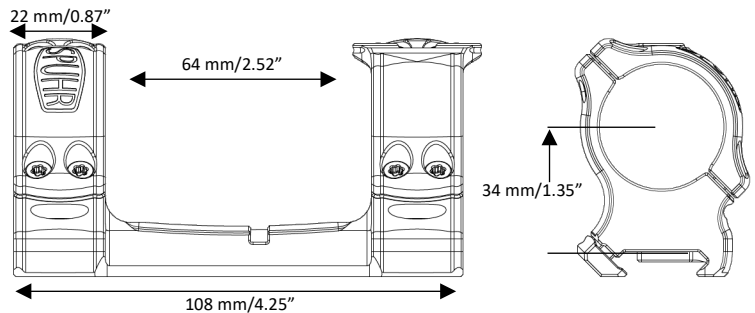
Hunting Mount Ø34 H34mm/1.35" 0MIL PIC

Picatinny mount for use on bolt action rifles

Rings: 34 mm
Tilt: 0 MIL/MOA
Height: 34 mm/1.35"
Length: 108 mm/4.25"
Weight: 154 g/5.4 oz
Interfaces: 1 set
EAN: 7340150712303



The Spuhr® Hunting Series of mounts features the diagonally cut rings of the Spuhr® Ideal Scope Mount System (ISMS™, US Patent 8,733,011) and implements them into a lightweight and aesthetically more pleasing mounting solution for the hunting market.



The SCP-4006 Hunting Mount features one Spuhr Interface™ Top Cover, which can be installed as to position any of more than 40 different accessories in either the 12 or 3 o'clock position.

The mounts are machined from billet 7000 series aluminum and all aluminum parts are hardcoat anodized. The Torx 20 ring and clamping screws are zinc-nickel coated for corrosion resistance and come pre-waxed from the factory to ensure proper torque values. Furthermore, the SCP-series of Hunting Mounts can be installed for either right-handed or left-handed use.

The mount is shipped with a manual and a "wedge" leveling key.

NOTE:

The SCP-4006 is designed for use on rifles with MIL-STD-1913 or Weaver one-piece rails. The SCP-4006 will fit most 34 mm scope tubes except for scopes with extended erector housings, such as the Nightforce B.E.A.S.T. and the US Optics TPAL/EREK.

CONTACT

Spuhr i Dalby AB

Phone: +46 46 712 012

Web: www.spuhr.com

Address: Terminalvägen 19
SE-246 42 Löddeköpinge
Sweden