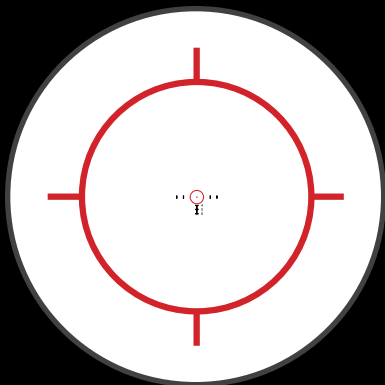




EOTECH®



vudu®

SR-2 and SR-3

RETICLES

EOTECH® reserves the right to change the product specifications at any time without notice. All brand names and product names referenced are trademarks, registered trademarks or trade names of their respective holders. Specifications provided in this user manual are nominal values only. Tolerance ranges consistent with industry best practices apply.

©2021 EOTECH, LLC. All rights reserved. EOTECH® and Vudu® are registered trademarks of EOTECH, LLC.

Contents

1 / FEATURES

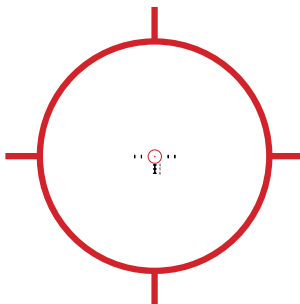
SR-2 and SR-3 Reticles	4
First (Front) Focal Plane	5
Bullet Drop Compensation (BDC).	6
Speed Ring	6
BDC Circle Dot	7
Elevation Holdovers	8

2 / MAINTENANCE

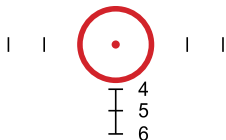
Service and Repair	10
Contact Information	11

SR-2 and SR-3 Reticles

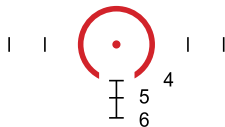
The SR-2 and SR-3 were designed to be versatile short to medium range reticles with ballistic drop references for .308 Win (7.62mm) and .223 Remington (5.56mm) ammunition. Combined with the Vudu First Focal Plane (FFP) riflescope, the SR-2 and SR-3 Speed Ring reticle allows for fast target engagement at low power, and excellent resolution and accuracy at higher power to engage longer range targets.



SR-2 and SR-3 @1X



SR-2 @6X



SR-3 @6X

First (Front) Focal Plane

First (or Front) Focal Plane riflescopes have the reticle installed at the front of the erector tube, forward of the magnification lens. When the magnification is increased, the reticle increases in proportion to the image you are viewing. As a result, the spacing between the actual reticle marks will always subtend the same distance at any magnification setting. This allows the shooter to quickly and accurately mil, hold over or hold off regardless of the magnification setting.

Bullet Drop Compensation (BDC)

The SR-2 and SR-3 reticles are based on a Ballistic Drop Compensated (BDC) design that predicts the drop of the specified cartridge at indicated distances. This system provides the shooter with reference points to hold off for known distance targets.

Speed Ring

The SR-2 and SR-3 reticles feature the popular EOTECH Speed Ring circle pattern for fast target engagement on close range targets at low power. Simply center the circle over the target and fire. The wide field of view at the lower power settings also allow for quicker transitioning between targets.

BDC Circle Dot

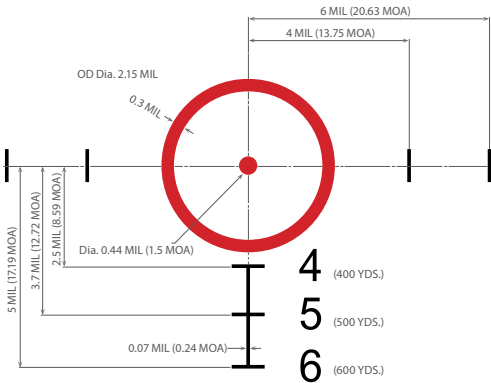
For those longer-range shots, an adjustment increase to the magnification will expand the Speed Ring until it is out of view and bring a BDC Circle Dot pattern into view. In addition to providing a precise aiming point, it is also calibrated for engaging targets at known distances.

Elevation Holdovers

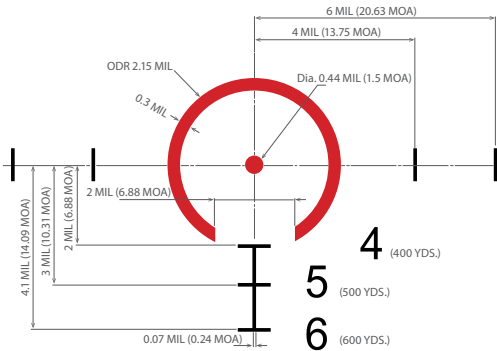
The SR-2 and SR-3 reticles are designed to use holdover hash marks to compensate for bullet drop. See images for holdover information for each.

All drops are calculated with a 100 yard zero. EOTECH recommends that shooters create and use a DOPE chart (Data On Previous Engagements) for your specific rifle and ammunition choice to quickly identify bullet drop at a given range. Though several factors determine the exact flight path of the projectile, with ballistic data and practice, the BDC holds can be calibrated for any cartridge.

If the shooter prefers, the elevation dial can also be used to dial in your adjustment to compensate for bullet drop. When using the dial for elevation adjustment, always use the center of the inner dot.



SR-2 Reticle: 7.62×51mm (M118LR)
175 grain, 2550 fps, .495 BC, 1.5" sight height



SR-3 Reticle: .223/5.56mm BTHP
75 grain, 2900 fps, .395 BC, 1.5" sight height

Service and Repair

- Visit the manufacturer's website at **eotechinc.com**.
- Navigate to the **Help Center** to complete the Return Authorization Request Form. EOTECH will provide detailed instructions on how to return your optic for repair.
- Contact EOTECH's Customer Service department by calling 888.EOTHOLO (888.368.4656) or submit a request online at **eotechinc.com**.

PRO TIP: *Do not ship the sight(s) without a Return Authorization number – this will severely delay the turnaround time on repair or replacement.*

Contact Information

**For prompt, professional and friendly service
contact EOTECH at:**

888.EOTHOLO (888.368.4656)
eotechinc.com

Shipping Address

EOTECH
Warranty and Service Department
1201 E. Ellsworth Road
Ann Arbor, Michigan, 48108 USA
Reference RA#

SCAN FOR
PRODUCT
REGISTRATION



SCAN FOR
WARRANTY
INFORMATION





EOTECH®

**Thank you for purchasing an
EOTECH Vudu rifle scope.**

VD1905 Rev B
April 2021

EOTECHINC.COM