



SP-4636

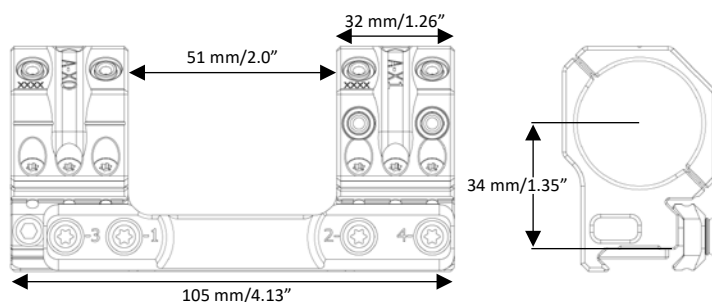
Scope Mount Ø34 H34mm/1.35" 6MIL PIC

Picatinny mount for Schmidt & Bender
5-20x50 PM II Ultra Short

Rings: 34 mm
Tilt: 6 MIL/20.6MOA
Height: 34 mm/1.35"
Length: 105 mm/4.13" (mount body)
Weight: 210 g/7.4 oz
Interfaces: 7 sets
EAN: 7340150700867



The **IDEAL SCOPE MOUNT SYSTEM** series of mounts feature **seven set of interfaces to attach any of more than 40 different accessories**, and has a bubble level integrated in the rear plane of the mount body to prevent canting of the rifle. The rings are diagonally cut for increased visibility of the elevation and windage turrets (US Patent 8,733,011).



The mounts are machined from billet 7075 T651 aluminum and all aluminum parts are hardcoat anodized. The Torx 20 ring and clamping screws are zinc-nickel coated for corrosion resistance. The screws come pre-waxed from the factory to ensure proper torque values.

The mount is shipped with a manual and a "wedge" leveling key.

NOTE:

The SP-4636 is designed specifically for the Schmidt & Bender 5-20x50 PM II Ultra Short on rifles with MIL-STD-1913 or STANAG 4694 rails. The SP-4636 features a shorter rear ring as to clear the illumination bezel of the scope.

CONTACT

Spuhr i Dalby AB

Phone: +46 46 712 012

Web: www.spuhr.com

Address: Terminalvägen 19
SE-246 42 Löddeköpinge
Sweden