

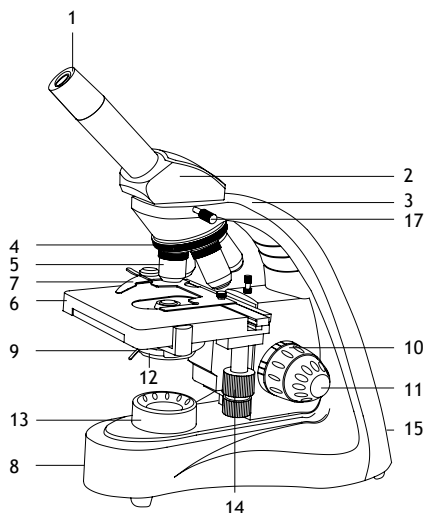
# Levenhuk MED 10 Microscopes

- ⓔN User Manual
- ⓔG Ръководство за потребителя
- ⓔZ Návod k použití
- ⓔE Bedienungsanleitung
- ⓔS Guía del usuario
- ⓔHU Használati útmutató
- ⓔIT Guida all'utilizzo
- ⓔPL Instrukcja obsługi
- ⓔPT Manual do usuário
- ⓔRU Инструкция по эксплуатации

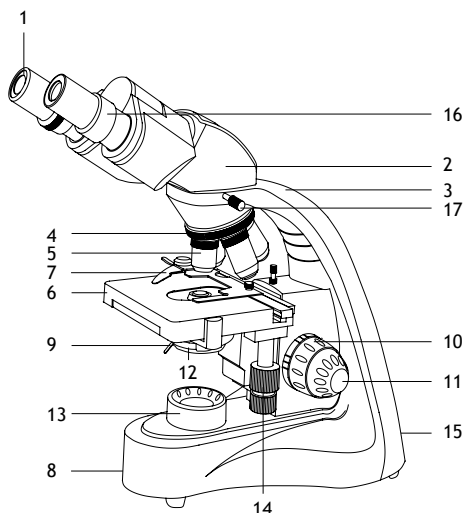


*Наслади се отблизо  
Radost zaostřit  
Zoom ran und hab Fun!  
Amplie y disfrute  
Kellemes nagyítást!  
Ingrandisci il divertimento  
Radość przybliżania  
Dê um zoom na sua emoção  
Приближает с удовольствием*

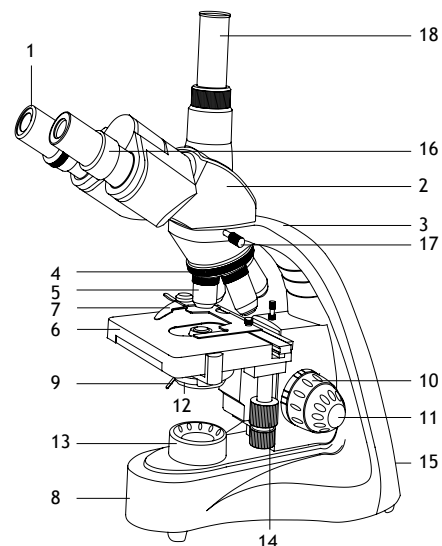
**levenhuk**  
Zoom&Joy



1a. Levenhuk MED 10M



1b. Levenhuk MED 10B



1c. Levenhuk MED 10T,  
MED D10T, MED D10T LCD

**EN**

1. Eyepiece
2. Monocular/binocular/trinocular eyepiece head
3. Arm
4. Revolving nosepiece
5. Objective
6. Stage
7. Mechanical scale
8. Brightness adjustment knob (not shown)
9. Aperture diaphragm adjustment rod
10. Coarse focusing knob
11. Fine focusing knob
12. Condenser with filter holder
13. Illumination
14. Stage moving knob (right/left and back/forth)
15. Illumination on/off button (not shown)
16. Diopter adjustment ring (binocular and trinocular models only)
17. Monocular/binocular/trinocular head locking screw
18. Third eyepiece tube (trinocular models only)

**BG**

1. Окуляр
2. Монокулярна/бинокулярна/тринокулярна глава
3. Рамо
4. Револверна глава
5. Обектив
6. Предметна маса
7. Механична скала
8. Бутон за регулиране на яркостта (не е показан)
9. Лостче за регулиране на апертурата на диафрагмата
10. Бутон за грубо фокусиране
11. Бутон за фино фокусиране
12. Кондензатор с държач за филтри
13. Осветление
14. Бутон за преместване на предметната маса (надясно/наляво и назад/напред)
15. Бутон за включване/изключване на осветлението (не е показан)
16. Пръстен за регулиране на диоптъра
17. Заклучващ винт на монокулярната/бинокулярната/тринокулярната глава
18. Трета тръба на окуляра (само за тринокулярни модели)

**CZ**

1. Okulár
2. Monokulární/binokulární/trinokulární hlava okuláru
3. Rameno
4. Revolverový nosič objektivů
5. Objektiv
6. Pracovní stolec
7. Mechanická stupnice
8. Knoflík pro nastavení jasu (není zobrazen)
9. Páčka pro nastavení aperturní clony
10. Makrošroub pro hrubé zaostření
11. Mikrošroub pro jemné zaostření
12. Kondenzor s držákem filtru
13. Osvětlení
14. Ovládací knoflík posuvu pracovního stolku (vpravo/vlevo a dozadu/dopředu)
15. Tlačítko zapnutí/vypnutí osvětlení (není zobrazeno)
16. Kroužek dioptrické korekce
17. Pojistný šroub monokulární/binokulární/trinokulární hlavy
18. Třetí tubus okuláru (pouze trinokulární modely)

**DE**

1. Okular
2. Monokular-/Binokular-/Trinokular-Okularkopf
3. Arm
4. Revolver
5. Objektiv
6. Objektisch
7. Physische Skala
8. Helligkeitsregler (nicht abgebildet)
9. Irisblende-Einstellstab
10. Grobtrieb
11. Feintrieb
12. Kondensator mit Filterhalter
13. Beleuchtung
14. Tischverstellungsknopf (links/rechts/ vorwärts/rückwärts)
15. Beleuchtung-Ein-/Ausschalter (nicht abgebildet)
16. Dioptrienring
17. Monokular-/Binokular-/Trinokularkopf-Fixierschraube
18. Dritter Okulartubus (nur Trinokularmodelle)

**ES**

1. Ocular
2. Cabezal monocular / binocular / trinocular
3. Brazo
4. Revólver giratorio
5. Objetivo
6. Platina
7. Micrómetro mecánico
8. Mando de ajuste del brillo (no se muestra)
9. Varilla de ajuste del diafragma de apertura
10. Mando de enfoque aproximado
11. Mando de enfoque preciso
12. Condensador con soporte de filtro
13. Iluminación
14. Mando de movimiento de la platina (derecha/izquierda y atrás/adelante)
15. Botón de encendido/apagado de la iluminación (no se muestra)
16. Anillo de ajuste de las dioptrías
17. Tornillo de bloqueo del cabezal monocular/binocular/trinocular
18. Tercer tubo ocular (solo modelos trinoculares)

**IT**

1. Oculare
2. Testata monocale/binocale/trinocale
3. Stativo
4. Revolver portaobiettivi
5. Obiettivo
6. Tavolino
7. Traslatore meccanico
8. Manopola di regolazione della luminosità (non visibile)
9. Leva di regolazione dell'apertura del diaframma
10. Manopola di messa a fuoco grossolana
11. Manopola di messa a fuoco fine
12. Condensatore con portafiltro
13. Illuminazione
14. Manopola per il movimento del tavolino (destra/sinistra e avanti/indietro)
15. Interruttore per l'illuminazione (non visibile)
16. Ghiera di regolazione diottrica (solo modelli binoculari e trinoculari)
17. Vite di fissaggio della testata monocale/binocale/trinocale
18. Terzo tubo ottico (solo modelli trinoculari)

**PT**

1. Ocular
2. Cabeça da ocular monocular/binocular/trinocular
3. Braço
4. Revólver giratório
5. Objetiva
6. Platina
7. Balança mecânica
8. Botão de ajuste do brilho (não apresentado)
9. Haste de ajuste do diafragma de abertura
10. Botão de focagem grosseira
11. Botão de focagem fina
12. Condensador com suporte do filtro
13. Iluminação
14. Botão de deslocação da lâmina (para a direita/para a esquerda e para a frente/para trás)
15. Botão de ligar/desligar a iluminação (não apresentado)
16. Anel de ajuste de dioptria
17. Parafuso de bloqueio da cabeça monocular/binocular/trinocular
18. Terceiro tubo ocular (apenas modelos Trinocular)

**HU**

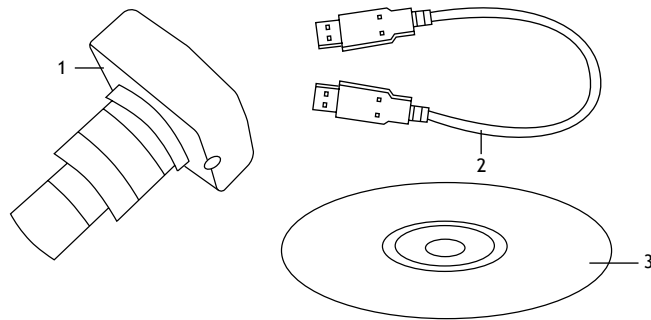
1. Szemlencse
2. Egy-/kettő-/háromszemlencsés szemlencse fejrész
3. Kar
4. Revolverfej
5. Objektív
6. Tárgyasztal
7. Mechanikus skála
8. Fényerősség állítógomb (nem látható)
9. Rekesznyílás állítórúd
10. Durva-fókuszállító gomb
11. Finom-fókuszállító gomb
12. Kondenzor szűrőtartóval
13. Megvilágítás
14. Tárgyasztal mozgó gomb (jobb/bal és előre/hátra)
15. Világítás be-/kikapcsoló gomb (nem látható)
16. Dioptria-állító gyűrű (csak kettő-/háromszemes modelleknél)
17. Egy-/kettő-/háromszemes fejrész rögzítőcsavar
18. Harmadik szemlencsecső (csak háromszemlencsés modelleknél)

**PL**

1. Okular
2. Głowica monokularowa/dwuokularowa/trójokularowa
3. Ramię
4. Miska rewolwerowa
5. Obiektyw
6. Stolik
7. Skala mechaniczna
8. Pokrętło regulacji jasności (niepokazane)
9. Pręt regulacji przysłony aperturowej
10. Pokrętło zgrubnej regulacji ostrości
11. Pokrętło precyzyjnej regulacji ostrości
12. Kondensator z uchwytem filtra
13. Oświetlenie
14. Pokrętło przesuwania stolika (w prawo/w lewo i do tyłu/ do przodu)
15. Przycisk wł./wyl. oświetlenia (niepokazany)
16. Pierścień regulacji dioptrii
17. Śruba blokująca głowicy monokularowej/dwuokularowej/trójokularowej
18. Tuba trzeciego okularu (tylko modele trójokularowe)

**RU**

1. Окуляр
2. Моноккулярная/биноккулярная/триноккулярная насадка
3. Опорная стойка
4. Револьверное устройство
5. Объектив
6. Предметный столик
7. Препаратоводитель
8. Регулятор яркости подсветки (не показан)
9. Регулятор апертурной диафрагмы
10. Ручка грубой фокусировки
11. Ручка тонкой фокусировки
12. Конденсор с держателем фильтра
13. Блок подсветки
14. Перемещение столика по горизонтали (вправо/влево и вперед/назад)
15. Кнопка вкл/выкл подсветки (не показана)
16. Кольцо диоптрийной настройки
17. Фиксатор моноккулярной/биноккулярной/триноккулярной насадки
18. Третья окулярная трубка (только триноккулярные модели)



## 2a. Levenhuk MED D10T

**EN**

1. Digital camera
2. USB cable
3. Installation CD

**BG**

1. Цифрова камера
2. USB кабел
3. Инсталационен компактдиск

**CZ**

1. Digitální fotoaparát
2. Kabel USB
3. Instalační CD

**DE**

1. Digitalkamera
2. USB-Kabel
3. Installations-CD

**ES**

1. Cámara digital
2. Cable USB
3. CD de instalación

**HU**

1. Digitális kamera
2. USB-kábel
3. Telepítő CD

**IT**

1. Fotocamera digitale
2. Cavo USB
3. CD di installazione

**PL**

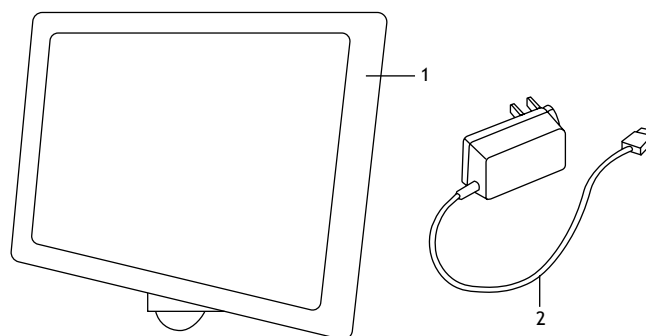
1. Aparat cyfrowy
2. Przewód USB
3. Płyta instalacyjna

**PT**

1. Câmara digital
2. USB cable
3. CD de instalação

**RU**

1. Цифровая камера
2. USB-кабель
3. Компакт-диск с программным обеспечением



## 2b. Levenhuk MED D10T LCD

**EN**

1. Digital camera with LCD screen
2. AC adapter

**BG**

1. Цифрова камера с течнокристален екран
2. Променливотоков адаптер

**CZ**

1. Digitální fotoaparát s LCD obrazovkou
2. Síťový adaptér

**DE**

1. Digitalkamera mit LCD-Bildschirm
2. Netzteil

**ES**

1. Cámara digital con pantalla LCD
2. Adaptador de CA

**HU**

1. Digitális kamera LCD-kijelzővel
2. Hálózati adapter

**IT**

1. Fotocamera digitale con schermo LCD
2. Adattatore AC

**PL**

1. Aparat cyfrowy z wyświetlaczem LCD
2. Zasilacz sieciowy

**PT**

1. Câmara digital com ecrã LCD
2. Adaptador de CA

**RU**

1. Цифровая камера с ЖК-экраном
2. Сетевой адаптер

## General Information

Read the user manual carefully before you start working with a microscope. Levenhuk MED Series biological microscopes are safe for health, life and property of the consumer and the environment when properly used, and meets the requirements of international standards. These microscopes are designed for observing transparent objects in the transmitted light using the bright field method. They perform well in clinical research and tests; teaching demonstrations; bacterioscopy and cytology in medical and health establishments, laboratories, universities; and may be used for scientific research in agriculture and microbiology.

## Microscope assembly

- Unpack the microscope carefully and place it on a flat surface.
- Remove the plastic bags and dustproof cover of the eyepiece head.
- Install the monocular, binocular or trinocular head and tighten the locking screw.
- Inspect all the items included in the kit and define their purpose.
- Connect the power cord to the microscope and plug it in.

## Use

Please refer to the fig. 1a (monocular model), fig. 1b (binocular model) and fig. 1c (trinocular model).

- Turn on the power and the illumination will turn on. Set the brightness at approximately 70%. Place the specimen on the stage. Make sure the clips hold the specimen firmly in place.
- Iris diaphragm should be adjusted in accordance with numerical aperture of a lens. The best practice is to make the iris diaphragm slightly smaller than the aperture of the selected lens. Open or close the iris diaphragm using the adjustment screws. If the adjustment screw is turned to the right, the iris diaphragm is fully open. **Note:** the diaphragm is not intended for adjusting the brightness of the illumination. To adjust the brightness, use the brightness adjustment knob.
- Slide the filter holder, place the filter in it and then return the holder to its initial position.
- To change the objective magnification, turn the revolving nosepiece until it clicks.
- Make sure that the lens does not touch the sample when adjusting the focus: rotate the coarse focus knob until the specimen is about 3.175mm (1/8") away from the lens.
- Looking into the eyepiece, slowly turn the coarse focusing knob until you can see the image of the observed specimen. Turn the fine focusing knob to make the image clear. The fine focusing mechanism allows you to focus on the observed specimen while using high magnifications.
- When you use an oil immersion objective, the space between the specimen and the lens should be filled with immersion oil. Raise the condenser to the upper position and put a drop of oil on the lens and on the cover glass of the specimen. Move the revolving nosepiece back and forth to get rid of air bubbles in the oil. Then, fix the objective lens in its working position. Make sure that oil fills the entire space between the objective lens and the specimen. After use, wipe the lens dry.
- To place the specimen in the field of view, move the stage horizontally back and forth or left and right using the stage moving knob.
- Look through the right eyepiece with your right eye and adjust the image sharpness with the coarse and fine focusing knobs. Binocular and trinocular models: Then, look through the left eyepiece with your left eye and rotate the diopter adjustment ring to equalize the difference between your left and right eyes vision. Remember the setting for future use. Adjust the distance between the eyepiece tubes of the binocular head so that the image merges into a single circle.
- Trinocular models: you can install the digital camera to the third eyepiece tube.

## Fuse replacement

Unplug the microscope from a power source. Open the fuse holder located on the back of the microscope body with a flat head screwdriver. Remove the old fuse and install a new one. Only use the appropriate types of fuses. Close the fuse holder.

## Digital camera

Levenhuk MED D10T comes with a digital camera (fig. 2a), Levenhuk MED D10T LCD comes with a digital camera with an LCD screen (fig. 2b). A digital camera is installed to the third eyepiece tube and enables observing specimens on the screen in exquisite detail and true color, taking photos and videos, and saving the images for future reference.

## Specifications

| Product ID                             | 73983   | 73984  | 73985                                       | 73986   | 73987                     |
|--|---|--|---|---|---------------------------|
| Model                                  | MED 10M   | MED 10B  | MED 10T                                     | MED D10T  | MED D10T LCD              |
| Type                                   | biological/optical  |  |   | biological/optical, digital   |                           |
| Research method                        | bright field  |  |   | bright field  |                           |
| Magnification                          | 40–1000x  |  |   | 40–1000x  |                           |
| Interpupillary distance                | –   | 48–75mm  |   | 48–75mm   |                           |
| Eyepiece head                          | monocular, 360° rotatable, inclined at 45°                          | binocular, 360° rotatable, inclined at 30°       | trinocular, 360° rotatable, inclined at 30° | trinocular, 360° rotatable, inclined at 30°                         |                           |
| Optics material                        | optical glass with an anti-fungal coating                           |  |   | optical glass with an anti-fungal coating                           |                           |
| Eyepiece tube diameter                 | 21mm (internal), 26mm (external, with thread)                       | 23.2mm   |   | 23.2mm  |                           |
| Third vertical eyepiece tube           | –   |  | 23.2mm                                      | 23.2mm  |                           |
| Eyepieces                              | WF10x/18mm (1pc)  | WF10x/18mm (2pcs)                                |   | WF10x/18mm (2pcs)   |                           |
| Eyepiece diopter adjustment            | –   | ±5D  |   | ±5D   |                           |
| Objectives                             | achromatic: 4x, 10x, 40xs, 100xs (oil)                              |  |   | achromatic: 4x, 10x, 40xs, 100xs (oil)                              |                           |
| Revolving nosepiece                    | 4 objectives  |  |   | 4 objectives  |                           |
| Stage moving range                     | 70/50mm   |  |   | 70/50mm   |                           |
| Stage                                  | double layer mechanical, 125x130mm, with a mechanical scale         |  |   | double layer mechanical, 125x130mm, with a mechanical scale         |                           |
| Focus system                           | coaxial, coarse (30mm) and fine (0.002mm)                           |  |   | coaxial, coarse (30mm) and fine (0.002mm)                           |                           |
| Condenser                              | Abbe N.A. 1.25 iris diaphragm and filter holder                     |  |   | Abbe N.A. 1.25 iris diaphragm and filter holder                     |                           |
| Body                                   | metal   |  |   | metal   |                           |
| Illumination                           | lower (5W LED) with brightness adjustment                           |  |   | lower (5W LED) with brightness adjustment                           |                           |
| Filters                                | blue, green, yellow   |  |   | blue, green, yellow   |                           |
| Vial of immersion oil                  | +   |  |   | +   |                           |
| Fuse                                   | 2pcs  |  |   | 2pcs  |                           |
| Power supply                           | 100–240V, via AC adapter  |  |   | 100–240V, via AC adapter  |                           |
| Digital camera                         | –   |  |   | 5.1Mpx  | 5Mpx with LCD screen      |
| Camera power supply                    | –   |  |   | DC 5V, via USB 2.0 cable  | DC 12V/2A, via AC adapter |
| Optional accessories (sold separately) | <i>semi plan objectives: 4x, 10x, 20xs, 40xs, 60xs, 100xs (oil)</i> |  |   | <i>semi plan objectives: 4x, 10x, 20xs, 40xs, 60xs, 100xs (oil)</i> |                           |
|  | <i>plan objectives: 4x, 10x, 20xs, 40xs, 60xs, 100xs (oil)</i>      |  |   | <i>semi plan objectives: 4x, 10x, 20xs, 40xs, 60xs, 100xs (oil)</i> |                           |
|  | –   | <i>eyepieces (D 23.2mm): 5x, 12.5x, 16x, 20x</i> |   | <i>eyepieces (D 23.2mm): 5x, 12.5x, 16x, 20x</i>                    |                           |
|  | <i>dark field condenser</i>   |  |   | <i>dark field condenser</i>   |                           |
|  | –   | <i>digital camera</i>                            |   | –   |                           |

Levenhuk reserves the right to modify or discontinue any product without prior notice.



**Caution!** Please remember that mains voltage in most European countries is 220–240V. If you want to use your device in a country with a different mains voltage standard, remember that use of a converter is absolutely necessary. The microscope must be grounded. Make sure that the main voltage matches the voltage indicated on the microscope body.

## Care and maintenance

- **Never, under any circumstances, look directly at the Sun, another bright source of light or at a laser through this device, as this may cause PERMANENT RETINAL DAMAGE and may lead to BLINDNESS.**
- Take necessary precautions when using the device with children or others who have not read or who do not fully understand these instructions.
- After unpacking your microscope and before using it for the first time check for integrity and durability of every component and connection.
- Do not try to disassemble the device on your own for any reason. For repairs and cleaning of any kind, please contact your local specialized service center.
- Protect the device from sudden impact and excessive mechanical force. Do not apply excessive pressure when adjusting focus. Do not overtighten the locking screws.
- Do not touch the optical surfaces with your fingers. To clean the device exterior, use only special cleaning wipes and special optics cleaning tools from Levenhuk. Do not use any corrosive or acetone-based fluids to clean the optics.
- Abrasive particles, such as sand, should not be wiped off lenses, but instead blown off or brushed away with a soft brush.
- Do not use the device for lengthy periods of time, or leave it unattended in direct sunlight. Keep the device away from water and high humidity.
- Be careful during your observations, always replace the dust cover after you are finished with observations to protect the device from dust and stains.
- If you are not using your microscope for extended periods of time, store the objective lenses and eyepieces separately from the microscope.
- Store the device in a dry, cool place away from hazardous acids and other chemicals, away from heaters, open fire and other sources of high temperatures.
- When using the microscope, try not to use it near flammable materials or substances (benzene, paper, cardboard, plastic, etc.), as the base may heat up during use, and might become a fire hazard.
- Always unplug the microscope from a power source before opening the base or changing the illumination lamp. Regardless of the lamp type (halogen or incandescent), give it some time to cool down before trying to change it, and always change it to a lamp of the same type.
- Always use the power supply with the proper voltage, i.e. indicated in the specifications of your new microscope. Plugging the instrument into a different power outlet may damage the electric circuitry of the microscope, burn out the lamp, or even cause a short circuit.
- **Seek medical advice immediately if a small part or a battery is swallowed.**

## Levenhuk International Lifetime Warranty

All Levenhuk telescopes, microscopes, binoculars and other optical products, except for accessories, carry a **lifetime warranty** against defects in materials and workmanship. Lifetime warranty is a guarantee on the lifetime of the product on the market. All Levenhuk accessories are warranted to be free of defects in materials and workmanship for **six months** from date of retail purchase. Levenhuk will repair or replace such product or part thereof which, upon inspection by Levenhuk, is found to be defective in materials or workmanship. As a condition to the obligation of Levenhuk to repair or replace such product, the product must be returned to Levenhuk together with proof of purchase satisfactory to Levenhuk.

This warranty does not cover consumable parts, such as bulbs (electrical, LED, halogen, energy-saving and other types of lamps), batteries (rechargeable and non-rechargeable), electrical consumables etc.

For further details, please visit our web site: [www.levenhuk.com/warranty](http://www.levenhuk.com/warranty)

If warranty problems arise, or if you need assistance in using your product, contact the local Levenhuk branch.

## Обща информация

Преди да започнете работа с микроскопа, прочетете внимателно ръководството за потребителя. При правилна употреба биологичните микроскопи от серия Levenhuk MED са безопасни за здравето, живота и имуществото на потребителя, както и за околната среда, и отговарят на изискванията на международните стандарти. Тези микроскопи са предназначени за наблюдение на прозрачни обекти в предавана светлина с помощта на метода на светлото поле. Те дават добри резултати при клинични изследвания и тестове; обучителни демонстрации; бактериоскопски и цитологични изследвания в медицински и здравни заведения, лаборатории, университети; и могат да бъдат използвани за научни изследвания в областта на селското стопанство и микробиологията.

## Сглобяване на микроскопа

- Внимателно разопакувайте микроскопа и го поставете на равна повърхност.
- Свалете полиетиленовите торби и покривалото против прах от главата на окуляра.
- Монтирайте монокулярната, бинокулярната или тринокулярната глава и затегнете заключващия винт.
- Проверете всички елементи, включени в комплекта, и определете предназначението им.
- Свържете захранващия кабел към микроскопа и го включете в мрежата.

## Употреба

Моля, вижте фиг. 1a (монокулярен модел), фиг. 1b (бинокулярен модел) и фиг. 1c (тринокулярен модел).

- Включете захранването и осветлението ще се включи. Настройте яркостта на приблизително 70%. Поставете образеца върху предметната маса. Уверете се, че щипките държат образеца здраво на място.
- Ирисовата диафрагма трябва да се регулира съобразно с цифровата апертура на дадена леща. Най-добре е от практична гледна точка да направите ирисовата диафрагма малко по-малка от апертурата на избраната леща. Отворете или затворете ирисовата диафрагма с помощта на регулиращите винтове. Ако регулиращият винт се завърти надясно, ирисовата диафрагма е отворена докрай. **Забележка:** диафрагмата не е предназначена за регулиране на яркостта на осветлението. За да регулирате яркостта, използвайте бутона за регулиране на яркостта.
- Плъзнете държача за филтри, поставете филтъра в него, след което върнете държача в първоначалното му положение.
- За да промените увеличението на обектива, завъртете револверната глава, докато чуete щракване.
- Уверете се, че при регулиране на фокуса лещата не докосва образеца: въртете бутона за грубо фокусиране, докато образецът не застане на разстояние около 3,175 mm (1/8") от лещата.
- Като гледате през окуляра, бавно въртете бутона за грубо фокусиране, докато успеете да видите изображението на наблюдавания образец. Завъртете бутона за фино фокусиране, за да направите изображението по-ясно. Механизмът за фино фокусиране дава възможност да фокусирате върху наблюдавания образец, като същевременно използвате големи увеличения.
- Когато използвате обектив с маслена имерсия, пространството между образеца и лещата трябва да бъде запълнено с имерсионно масло. Повдигнете кондензатора в горно положение и поставете капка масло върху лещата и върху покривното стъкло на образеца. Движете револверната глава напред-назад, за да отстраните въздушните мехурчета в маслото. След това фиксирайте лещата на обектива в работната ѝ позиция. Уверете се, че цялото пространство между лещата на обектива и образеца е запълнено с масло. След употреба подсушете лещата.
- За да поставите образеца в зрителното поле, местете предметната маса хоризонтално напред-назад или наляво-надясно с помощта на бутона за преместване на предметната маса.
- Погледнете през десния окуляр с дясното си око и регулирайте остротата на изображението с бутоните за грубо и фино фокусиране. Бинокулярни и тринокулярни модели: след това погледнете през левия окуляр с лявото си око и завъртете пръстена за регулиране на диоптъра, за да изравните разликата в зрението между лявото и дясното Ви око. Запомнете настройката за бъдеща употреба. Регулирайте разстоянието между тръбите на окулярите на бинокулярната глава така, че изображението да се слее в един кръг.
- Тринокулярни модели: можете да монтирате цифровата камера към третата тръба на окуляра.

## Смяна на предпазител

Изключете микроскопа от източника на захранване. Отворете държача за предпазителя, намиращ се отзад на корпуса на микроскопа с отвертка с плоска глава. Отстранете стария предпазител и монтирайте нов. Използвайте само подходящи типове предпазители. Затворете държача за предпазителя.

## Цифрова камера

Levenhuk MED D10T се предлага с цифрова камера (фиг. 2a), а Levenhuk MED D10T LCD се предлага с цифрова камера с течнокристален екран (фиг. 2b). Цифровата камера се монтира към третата тръба на окуляра и дава възможност да се наблюдават образци на екрана в най-малки детайли и истински цветове, да се правят снимки и видеоклипове и да се записват изображенията за бъдещи справки.



## Спецификации

| ИД на продукт                            | 73983   | 73984   | 73985  | 73986  | 73987   |
|--|---|---|--|--|---|
| Модел                                    | MED 10M   | MED 10B   | MED 10T  | MED D10T   | MED D10T LCD  |
| Тип                                      | биологичен/оптичен                                    |   |  | биологичен/оптичен, цифров                                 |   |
| Метод за изследване                      | на светлото поле                                      |   |  | на светлото поле   |   |
| Увеличение                               | 40–1000x  |   |  | 40–1000x   |   |
| Разстояние между окулярите               | –   | 48–75 mm  |  | 48–75 mm   |   |
| Глава на окуляра                         | монокулярна, може да се завърта на 360°, наклонена    | бинокулярна, може да се завърта на 360°, наклонена на 30° | тринокулярна, може да се завърта на 360°, наклонена на 30° | тринокулярна, може да се завърта на 360°, наклонена на 30° |   |
| Материал на оптиката                     | оптично стъкло с покритие за защита от плесени        |   |  | оптично стъкло с покритие за защита от плесени             |   |
| Диаметър на тръбата на окуляра           | 21 mm (вътрешен), 26 mm (външен, с резбата)           | 23,2 mm   |  | 23,2 mm  |   |
| Трета вертикална тръба на окуляра        | –   | 23,2 mm   |  | 23,2 mm  |   |
| Окуляри                                  | WF10x/18 mm (1 бр.)                                   | WF10x/18 mm (2 бр.)                                       |  | WF10x/18 mm (2 бр.)  |   |
| Регулиране на диоптъра на окуляра        | –   | ±5 D  |  | ±5 D   |   |
| Обективи                                 | ахроматични: 4x, 10x, 40xs, 100xs (с маслена имерсия) |   |  | ахроматични: 4x, 10x, 40xs, 100xs (с маслена имерсия)      |   |
| Револверна глава                         | 4 обектива  |   |  | 4 обектива   |   |
| Диапазон на движение на предметната маса | 70/50 mm  |   |  | 70/50 mm   |   |
| Предметна маса                           | механична двуслойна, 125x130 mm, с механична скала    |   |  | механична двуслойна, 125x130 mm, с механична скала         |   |
| Система за фокусиране                    | коаксиално, грубо (30 mm) и фино (0,002 mm)           |   |  | коаксиално, грубо (30 mm) и фино (0,002 mm)                |   |
| Кондензатор                              | Abbe N.A. 1,25 ирисова диафрагма и държач за филтри   |   |  | Abbe N.A. 1,25 ирисова диафрагма и държач за филтри        |   |
| Корпус                                   | метал   |   |  | метал  |   |
| Осветление                               | ниско (5 W светодиодно) с регулиране на яркостта      |   |  | ниско (5 W светодиодно) с регулиране на яркостта           |   |
| Филтри                                   | син, зелен, жълт                                      |   |  | син, зелен, жълт   |   |
| Флакони с имерсионно масло               | +   |   |  | +  |   |
| Предпазител                              | 2 бр.   |   |  | 2 бр.  |   |
| Захранване                               | 100–240 V, чрез променливотоков адаптер               |   |  | 100–240 V, чрез променливотоков адаптер                    |   |
| Цифрова камера                           | –   |   |  | 5,1 Мрх  | 5 Мрх с течнокристален екран                            |
| Захранване на камерата                   | –   |   |  | постоянно-токово 5 V, чрез USB 2.0 кабел                   | постоянно-токово 12 V/2 A, чрез променливотоков адаптер |

|  |  |   |  |
|--|--|---|--|
| <i>Допълнителни принадлежности (продават се отделно)</i> | <i>полу-планахроматични обективи: 4x, 10x, 20xs, 40xs, 60xs, 100xs (с маслена имерсия)</i> |   | <i>полу-планахроматични обективи: 4x, 10x, 20xs, 40xs, 60xs, 100xs (с маслена имерсия)</i> |
|  | <i>планахроматични обективи: 4x, 10x, 20xs, 40xs, 60xs, 100xs (с маслена имерсия)</i>      |   | <i>планахроматични обективи: 4x, 10x, 20xs, 40xs, 60xs, 100xs (с маслена имерсия)</i>      |
|  | –  | <i>окуляри (D 23,2 mm): 5x, 12,5x, 16x, 20x</i> | <i>окуляри (D 23,2 mm): 5x, 12,5x, 16x, 20x</i>  |
|  | <i>кондензатор за тъмно поле</i>   |   | <i>кондензатор за тъмно поле</i>   |
|  | –  | <i>цифрова камера</i>                           | –  |

Levenhuk си запазва правото да променя или да преустанови предлагането на продукта без предварително уведомление.



**Внимание!** Не забравяйте, че напрежението в повечето европейски страни е 220–240 V. Ако искате да използвате устройството си в страна с различен стандарт на мрежово напрежение, използването на трансформатор е абсолютно необходимо. Микроскопът трябва да бъде заземен. Уверете се, че основното напрежение съответства на напрежението, посочено на корпуса на микроскопа.

## Грижи и поддръжка

- Никога и при никакви обстоятелства не гледайте директно към слънцето, друг ярък източник на светлина или лазер през това устройство, тъй като това може да предизвика **ПЕРМАНЕНТНО УВРЕЖДАНЕ НА РЕТИНАТА** и може да доведе до **СЛЕПОТА**.
- Предприемете необходимите превантивни мерки при използване на това устройство от деца или други, които не са прочели или които не са разбрали напълно тези инструкции.
- След като разопаковате Вашия микроскоп и преди да го използвате за първи път, проверете дали всички компоненти и връзки са здрави и с ненарушена цялост.
- Не се опитвайте да разглобявате устройството самостоятелно. За всякакви ремонти се обръщайте към местния специализиран сервизен център.
- Предпазвайте устройството от внезапни удари и прекомерна механична сила. Не прилагайте прекомерен натиск при настройване на фокусирането. Не пренатягайте заключващите винтове.
- Не пипайте повърхностите на оптиката с пръсти. За почистване на отвън, използвайте само специални кърпички и течности за почистване на оптика от Levenhuk. Не използвайте корозивни течности или такива на основата на ацетон за почистване на оптиката.
- Абразивните частици, като напр. пясък, не трябва да бъдат забърсвани от лещите, а трябва да бъдат издухвани или изчетквани с мека четка.
- Не използвайте устройството за продължителни периоди от време и не го оставяйте без надзор на директна слънчева светлина. Пазете устройството далече от вода и висока влажност.
- Бъдете внимателни по време на наблюдения, винаги поставяйте покривалото против прах обратно на мястото му, след като сте приключили с наблюдението, за да предпазите устройството от прах и поява на петна.
- Ако не използвате Вашия микроскоп за продължителни периоди от време, съхранявайте лещите на обектива и окулярите отделно от микроскопа.
- Съхранявайте устройството на сухо и хладно място, далеч от опасни киселини и други химикали, далеч от отоплителни уреди, открит огън и други източници на високи температури.
- Когато използвате микроскопа, опитайте да не го използвате в близост до запалими материали или вещества (бензен, хартия, картон, пластмаса и т.н.), тъй като основата може да се нагрее по време на употреба и може да възникне опасност от пожар.
- Винаги изключвайте микроскопа от източника на захранване, преди да отворите основата или да смените осветителната лампа. Независимо от вида на лампата (халогенна или с нажежаема жичка) я оставете да се охлади за кратко, преди да опитате да я смените, и винаги я сменяйте с лампа от същия тип.
- Винаги използвайте захранване с подходящо напрежение, т.е. посоченото в спецификациите на Вашия нов микроскоп. Включването на инструмента в електрически контакт с различно напрежение ще повреди електрическата верига на микроскопа, ще изгори лампата или може дори да причини късо съединение.
- **Потърсете веднага медицинска помощ, ако погълнете малка част или батерия.**

## Международна доживотна гаранция от Levenhuk

Всички телескопи, микроскопи, бинокли и други оптични продукти от Levenhuk, с изключение на аксесоарите, имат **доживотна гаранция** за дефекти в материалите и изработката. Доживотната гаранция представлява гаранция, валидна за целия живот на продукта на пазара. За всички аксесоари Levenhuk се предоставя гаранция за липса на дефекти на материалите и изработката за период от **две години** от датата на покупка на дребно. Levenhuk ще ремонтира или замени всеки продукт или част от продукт, за които след проверка от страна на Levenhuk се установи наличие на дефект на материалите или изработката. Задължително условие за задължението на Levenhuk да ремонтира или замени такъв продукт е той да бъде върнат на Levenhuk заедно с документ за покупка, който е задоволителен за Levenhuk.

Тази гаранция не покрива консумативи, като крушки (електрически, LED, халогенни, енергоспестяващи или други типове лампи), батерии (акумулаторни и неакумулаторни), електрически консумативи и т.н.

За повече информация посетете нашата уебстраница: [www.levenhuk.bg/garantsiya](http://www.levenhuk.bg/garantsiya)

Ако възникнат проблеми с гаранцията или ако се нуждаете от помощ за използването на Вашия продукт, свържете се с местния представител на Levenhuk.

## Všeobecné informace

Než začnete pracovat s mikroskopem, přečtěte si pečlivě Návod k použití. Při správném používání jsou biologické mikroskopy Levenhuk řady MED bezpečné z hlediska ochrany zdraví, života i majetku spotřebitele, životního prostředí a splňují požadavky mezinárodních norem. Tyto mikroskopy jsou určeny k pozorování průhledných objektů v procházejícím světle pomocí metody jasného zorného pole. Mohou se dobře uplatnit v klinickém výzkumu a testování, při ukázkách během výuky, v bakterioskopii a cytologii v lékařských a zdravotnických zařízeních, v laboratořích i na univerzitách, a lze je použít ke klinickému výzkumu v zemědělství a mikrobiologii.

## Sestavení mikroskopu

- Mikroskop opatrně vybalte a položte na rovný povrch.
- Odstraňte plastové sáčky a prachotěsnou krytku hlavy okuláru.
- Namontujte monokulární, binokulární nebo trinokulární hlavu a utáhněte pojistný šroub.
- Zkontrolujte všechny položky obsažené v sadě a definujte jejich účel.
- Připojte napájecí kabel k mikroskopu a zapojte jej.

## Použití

Viz Obr. 1a (monokulární model), Obr. 1b (binokulární model) a Obr. 1c (trinokulární model).

- Zapněte napájení a osvětlení se zapne. Nastavte jas přibližně na 70%. Umístěte vzorek na pracovní stůl mikroskopu. Ujistěte se, že spony drží vzorek pevně na svém místě.
- Irisová clona by měla být nastavena podle numerické clony objektivu. Osvědčenou praxí je nastavit irisovou clonu na hodnotu o něco menší než je clona zvolené čočky objektivu. Otevřete nebo zavřete irisovou clonu pomocí seřizovacích šroubů. Pokud se seřizovací šroub otočí doprava, irisová clona se zcela otevře. **Poznámka:** Tato clona není určena k nastavení jasu osvětlení. Pokud chcete seřídit jas, použijte knoflík pro nastavení jasu.
- Zasuňte držák filtru, vložte do něj filtr a poté držák vraťte do původní polohy.
- Pokud chcete změnit zvětšení objektivu, otáčejte revolverovým nosičem objektivů, dokud nezaklapne.
- Při úpravě zaostření se ujistěte, že se čočka objektivu nedotkla vzorku: otáčejte knoflíkem pro hrubé zaostření, dokud není vzorek ve vzdálenosti asi 3,175 mm (1/8") od čočky objektivu.
- Dívejte se do okuláru a pomalu otáčejte knoflíkem pro hrubé zaostření, dokud nevidíte obraz pozorovaného vzorku. Otočením knoflíku pro jemné zaostření se obraz zcela zaostří. Mechanismus jemného zaostření umožňuje zaostřit na pozorovaný vzorek při použití velkých zvětšení.
- Při použití imerzního objektivu by měl být prostor mezi preparátem a objektivem vyplněn imerzním olejem. Zvedněte kondenzor do horní polohy a dejte kapku oleje na čočku a krycí sklíčko vzorku. Pohybuje revolverovým nosičem objektivů tam a zpět, abyste se zbavili vzduchových bublin v oleji. Poté objektiv upevněte do pracovní polohy. Ujistěte se, že olej zaplňuje celý prostor mezi objektivem a vzorkem. Po použití objektivů otřete do sucha.
- K umístění vzorku do zorného pole posouvejte pracovní stůl vodorovně dozadu a dopředu nebo doleva a doprava pomocí otočného knoflíku stolku.
- Dívejte se pravým okem do pravého okuláru a upravte ostrost obrazu pomocí knoflíků pro hrubé a jemné zaostření. Binokulární a trinokulární modely: Poté se dívejte levým okem do levého okuláru a otáčejte kroužkem dioptrické korekce k vyrovnání rozdílu mezi viděním levého a pravého oka. Zapamatujte si toto nastavení pro budoucí použití. Nastavte vzdálenost mezi tubusy okuláru binokulární hlavy tak, aby se obraz soustředil do jednoho kruhu.
- Trinokulární modely: umožňují instalaci digitálního fotoaparátu do tubusu třetího okuláru.

## Výměna pojistky

Odpojte mikroskop od zdroje napájení. Plochým šroubovákem otevřete držák pojistky umístěný na zadní straně těla mikroskopu. Vyjměte starou pojistku a nainstalujte novou. Používejte pouze vhodné typy pojistek. Zavřete držák pojistky.

## Digitální fotoaparát

Levenhuk MED D10T je dodáván s digitálním fotoaparátem (Obr. 2a), Levenhuk MED D10T LCD je dodáván s digitálním fotoaparátem s LCD obrazovkou (Obr. 2b). Do tubusu třetího okuláru je nainstalován digitální fotoaparát, který umožňuje pozorovat vzorky na obrazovce v nádherných detailech a skutečných barvách, pořizovat fotografie a videa a ukládat snímky pro budoucí použití.

## Technické údaje

| ID produktu                                    | 73983   | 73984   | 73985  | 73986   | 73987                                    |
|--|---|---|--|---|--|
| Model  | MED 10M   | MED 10B   | MED 10T                                      | MED D10T  | MED D10T LCD                             |
| Typ  | biologický/optický  |   |  | biologický/optický, digitální   |  |
| Metoda pozorování                              | jasné pole  |   |  | jasné pole  |  |
| Zvětšení                                       | 40–1000x  |   |  | 40–1000x  |  |
| Osová vzdálenost mezi tubusy                   | –   | 48–75 mm  |  | 48–75 mm  |  |
| Hlava okuláru                                  | monokulární, otočná o 360°, nakloněná o 45°   | binokulární, otočná o 360°, nakloněná o 30°     | trinokulární, otočná o 360°, nakloněná o 30° | trinokulární, otočná o 360°, nakloněná o 30°  |  |
| Materiál optiky                                | optické sklo s protiplíšňovou povrchovou úpravou  |   |  | optické sklo s protiplíšňovou povrchovou úpravou  |  |
| Průměr tubusu okuláru                          | 21 mm (vnitřní), 26 mm (vnější, se závitem)   | 23,2 mm   |  | 23,2 mm   |  |
| Třetí vertikální tubus okuláru                 | –   | 23,2 mm   |  | 23,2 mm   |  |
| Okuláry  | WF10x/18 mm (1 ks)  | WF10x/18 mm (2 ks)                              |  | WF10x/18 mm (2 ks)  |  |
| Dioptrická korekce okuláru                     | –   | ±5 D  |  | ±5 D  |  |
| Objektivy                                      | achromatické: 4x, 10x, 40xs, 100xs (pro pozorování s olejovou imerzí)                             |   |  | achromatické: 4x, 10x, 40xs, 100xs (pro pozorování s olejovou imerzí)                             |  |
| Revolverový nosič objektivů                    | 4 objektivy   |   |  | 4 objektivy   |  |
| Rozsah posuvu pracovního stolku                | 70/50 mm  |   |  | 70/50 mm  |  |
| Pracovní stolek                                | mechanický se dvěma vrstvami, 125x130 mm, s mechanickým měřítkem                                  |   |  | mechanický se dvěma vrstvami, 125x130 mm, s mechanickým měřítkem                                  |  |
| Systém ostření                                 | koaxiální, hrubé (30 mm) a jemné (0,002 mm)   |   |  | koaxiální, hrubé (30 mm) a jemné (0,002 mm)   |  |
| Kondenzor                                      | Abbeův N.A. 1,25 s irisovou clonou a držákem filtru   |   |  | Abbeův N.A. 1,25 s irisovou clonou a držákem filtru   |  |
| Tělo   | kov   |   |  | kov   |  |
| Osvětlení                                      | spodní (5 W LED) s nastavením jasu  |   |  | spodní (5 W LED) s nastavením jasu  |  |
| Filtry   | modrý, zelený, žlutý  |   |  | modrý, zelený, žlutý  |  |
| Nádobka s imerzním olejem                      | +   |   |  | +   |  |
| Pojistka                                       | 2 ks  |   |  | 2 ks  |  |
| Napájení                                       | 100–240 V, prostřednictvím AC adaptéru  |   |  | 100–240 V, prostřednictvím AC adaptéru  |  |
| Digitální fotoaparát                           | –   |   |  | 5,1 Mpx   | 5 Mpx s LCD obrazovkou                   |
| Napájecí zdroj fotoaparátu                     | –   |   |  | DC 5 V, prostřednictvím kabelu USB 2.0  | DC 12 V/2 A, prostřednictvím AC adaptéru |
| Volitelné příslušenství (prodáváno samostatně) | <i>polorovinné objektivy: 4x, 10x, 20xs, 40xs, 60xs, 100xs (pro pozorování s olejovou imerzí)</i> |   |  | <i>polorovinné objektivy: 4x, 10x, 20xs, 40xs, 60xs, 100xs (pro pozorování s olejovou imerzí)</i> |  |
|  | <i>rovinné objektivy: 4x, 10x, 20xs, 40xs, 60xs, 100xs (pro pozorování s olejovou imerzí)</i>     |   |  | <i>rovinné objektivy: 4x, 10x, 20xs, 40xs, 60xs, 100xs (pro pozorování s olejovou imerzí)</i>     |  |
|  | –   | <i>okuláry (D 23,2 mm): 5x, 12,5x, 16x, 20x</i> |  | <i>okuláry (D 23,2 mm): 5x, 12,5x, 16x, 20x</i>   |  |
|  | <i>kondenzor tmavého pole</i>   |   |  | <i>kondenzor tmavého pole</i>   |  |
|  | –   | <i>digitální fotoaparát</i>                     |  | –   |  |

Společnost Levenhuk si vyhrazuje právo provádět bez předchozího upozornění úpravy jakéhokoliv výrobku, případně zastavit jeho výrobu.



**Upozornění!** Správné síťové napětí naleznete v tabulce technických parametrů. Bez použití měniče se nikdy nepokoušejte připojit zařízení dimenzované na napětí 220 V do zásuvky poskytující napětí 110 V a opačně. Mějte na paměti, že síťové napětí ve většině evropských zemí je 220–240 V, zatímco v USA a v Kanadě je to 110 V. Mikroskop musí být uzemněn. Ujistěte se, že síťové napětí souhlasí s napětím uvedeným na těle mikroskopu.

## Péče a údržba

- **Nikdy, za žádných okolností se tímto přístrojem nedívejte přímo do slunce, jiného světelného zdroje nebo laseru, neboť hrozí nebezpečí TRVALÉHO POŠKOZENÍ SÍTNICE a případně i OSLEPNUTÍ.**
- Při použití tohoto přístroje dětmi nebo osobami, které tento návod nečetly nebo s jeho obsahem nebyly plně srozuměny, uplatněte nezbytná preventivní opatření.
- Po vybalení mikroskopu a před jeho prvním použitím zkontrolujte neporušenost jednotlivých komponent a spojů.
- Nepokoušejte se přístroj sami rozebírat. S opravami veškerého druhu se obračejte na své místní specializované servisní středisko.
- Přístroj chraňte před prudkými nárazy a nadměrným mechanickým namáháním. Při zaostřování nevyvíjejte nadměrný tlak. Neutahujte šrouby konstrukce příliš silně.
- Nedotýkejte se svými prsty povrchů optických prvků. K vyčištění vnějších částí přístroje používejte výhradně speciální čisticí ubrousky a speciální nástroje k čištění optiky dodávané společností Levenhuk. K čištění optiky nepoužívejte žádné žíraviny ani kapaliny na acetonové bázi.
- Abrazivní částice, například písek, by se neměly z čoček otírat, ale sfouknout nebo smést měkkým kartáčkem.
- Přístroj příliš dlouho nepoužívejte ani neopouštějte bez dozoru na přímém slunci. Chraňte přístroj před stykem s vodou.
- Při pozorování dbejte na opatrnost; po skončení pozorování vždy nasadte ochranný kryt, abyste mikroskop ochránili před prachem a jiným znečištěním.
- Pokud svůj mikroskop nebudete delší dobu používat, uložte čočky objektivu a okuláru odděleně od samotného mikroskopu.
- Přístroj ukládejte na suchém, chladném místě, mimo dosah nebezpečných kyselin nebo jiných chemikálií, topných těles, otevřeného ohně a jiných zdrojů vysokých teplot.
- Mikroskop nepoužívejte v blízkosti hořlavých materiálů nebo látek (benzín, papír, lepenka, plast apod.), neboť stativ se může při práci zahřívat a vyvolávat riziko požáru.
- Před otevřením stativu nebo výměnou žárovky osvětlení vždy mikroskop odpojte od zdroje napájení. Bez ohledu na typ žárovky (halogenová nebo obyčejná) ji nechejte před výměnou nějakou dobu vychladnout a vždy ji vyměňujte za žárovku stejného typu.
- Vždy používejte napájení o správném napětí tak, jak je uvedeno v technických údajích vašeho nového mikroskopu. Připojení přístroje do odlišné zásuvky může vést k poškození elektronických obvodů mikroskopu, spálení žárovky nebo dokonce vyvolat zkrat.
- **Při náhodném požití malé součásti nebo baterie ihned vyhledejte lékařskou pomoc.**

## Mezinárodní doživotní záruka Levenhuk

Na veškeré teleskopy, mikroskopy, triedy a další optické výrobky značky Levenhuk, s výjimkou příslušenství, se poskytuje **doživotní záruka** pokrývající vady materiálu a provedení. Doživotní záruka je záruka platná po celou dobu životnosti produktu na trhu. Na veškeré příslušenství značky Levenhuk se poskytuje záruka toho, že je dodáváno bez jakýchkoli vad materiálu a provedení, a to po dobu **dvou let** od data zakoupení v maloobchodní prodejně. Tato záruka vám v případě splnění všech záručních podmínek dává nárok na bezplatnou opravu nebo výměnu výrobku značky Levenhuk v libovolné zemi, v níž se nachází pobočka společnosti Levenhuk.

Tato záruka se nevztahuje na spotřební materiál, jako jsou žárovky (klasické, LED, halogenové, úsporné a jiné typy žárovek), baterie (akumulátory i jednorázové baterie), elektromontážní spotřební materiál apod.

Další informace – navštivte naše webové stránky: [www.levenhuk.cz/zaruka](http://www.levenhuk.cz/zaruka)

V případě problémů s uplatněním záruky, nebo pokud budete potřebovat pomoc při používání svého výrobku, obraťte se na místní pobočku společnosti Levenhuk.

## Allgemeine Informationen

Machen Sie sich gründlich mit der Bedienungsanleitung vertraut, bevor Sie mit Ihrem Mikroskop arbeiten. Die Levenhuk-Biologiemikroskope der MED-Serie sind bei richtigem Einsatz sicher in der Anwendung, erfüllen Vorgaben internationaler Standards. Die Mikroskope sind zur Beobachtung transparenter Objekte im Durchlicht gemäß Hellfeld-Verfahren vorgesehen. Die Instrumente eignen sich für klinische Forschung und Tests, zu Demonstrationszwecken, zur Bakterio- und Zytoskopie im medizinischen Umfeld, zum Einsatz in Laboratorien, Universitäten und Schulen sowie zur wissenschaftlichen Forschung bei Agrikultur und Mikrobiologie.

## Mikroskop montieren

- Packen Sie das Mikroskop sorgfältig aus, stellen Sie das Instrument auf eine flache Unterlage.
- Nehmen Sie sämtliche Kunststoffbeutel und die Staubschutzhaube vom Okularkopf ab.
- Bringen Sie den Monokular-, Binokular-, Trinokularkopf oder LCD-Bildschirm an, ziehen Sie die Fixierschraube an.
- Schauen Sie sich alle mitgelieferten Komponenten an, machen Sie sich mit deren Zweck vertraut.
- Schließen Sie das Stromversorgungskabel an das Mikroskop an, stecken Sie den Netzstecker in die Steckdose.

## Bedienung

Schauen Sie sich die Abbildungen 1a (Monokularmodell), 1b (Binokularmodell) oder 1c (Trinokularmodell) an.

- Schalten Sie das Gerät ein, die Beleuchtung schaltet sich mit ein. Stellen Sie die Helligkeit auf etwa 70 % ein. Legen Sie die Probe auf den Objektstisch. Achten Sie darauf, dass die Probe unverrückbar von den Clips gehalten wird.
- Stellen Sie die Irisblende nach Bedarf ein. Am besten stellen Sie die Irisblende etwas kleiner als die Öffnung des ausgewählten Objektivs ein. Mit der Einstellschraube öffnen und schließen Sie die Irisblende. Wenn Sie die Einstellschraube nach rechts drehen, öffnet sich die Irisblende. **Hinweis:** Die Irisblende ist nicht zur Helligkeitsregelung der Beleuchtung gedacht. Ändern Sie die Beleuchtungshelligkeit mit dem Helligkeitsregler.
- Schieben Sie den Filterhalter beiseite, legen Sie den Filter ein, bringen Sie den Halter anschließend wieder in die Ursprungsposition.
- Zum Ändern der Objektivvergrößerung drehen Sie den Revolver, bis er einrastet.
- Achten Sie darauf, dass das Objektiv die Probe beim Scharfstellen nicht berührt: Drehen Sie den Grobtrieb, bis sich die Probe etwa 3 mm von der Objektivlinse entfernt befindet.
- Schauen Sie durch das Okular, drehen Sie den Grobtrieb langsam, bis Sie die Probe erkennen können. Stellen Sie die Abbildung nun mit dem Feintrieb scharf ein. Der Feintrieb ermöglicht gefühlvolles Scharfstellen bei höheren Vergrößerungen.
- Wenn Sie mit Immersionsöl arbeiten, muss der Raum zwischen Probe und Objektivlinse mit Immersionsöl gefüllt sein. Bringen Sie den Kondensator in die obere Position, geben Sie einen Tropfen Öl auf die Objektivlinse und auf das Deckglas der Probe. Bewegen Sie den Revolver zum Entfernen von Luftblasen im Öl leicht vor und zurück. Anschließend fixieren Sie das Objektiv in seiner Arbeitsposition. Achten Sie darauf, dass das Öl den gesamten Raum zwischen Objektiv und Objekt ausfüllt. Wischen Sie die Objektivlinse nach der Untersuchung wieder trocken.
- Um die Probe ins Sehfeld zu holen, bewegen Sie den Objektstisch mit den Tischverstellungsknöpfen horizontal nach vorne, hinten, links oder rechts.
- Schauen Sie mit dem rechten Auge durch das rechte Okular, stellen Sie die Schärfe mit Grobtrieb und Feintrieb ein. Binokular- und Trinokularmodelle: Anschließend schauen Sie mit dem linken Auge durch das linke Okular. Verstellen Sie den Dioptrienring, bis Sie auch mit dem linken Auge scharf sehen. Merken Sie sich diese Einstellung für die Zukunft. Stellen Sie den Abstand der Okulartuben am Binokularkopf so ein, dass sich ein einziges, rundes Bild ergibt (keine „Acht“ wie in Spielfilmen).
- Trinokularmodelle: Der dritte Okulartubus dient zur Aufnahme einer Digitalkamera.

## Sicherung wechseln

Trennen Sie das Mikroskop von der Stromversorgung. Öffnen Sie den Sicherungshalter an der Rückseite des Mikroskops mit einem Schlitzschraubendreher. Nehmen Sie die alte Sicherung heraus, setzen Sie eine neue ein. Verwenden Sie nur Sicherungen des passenden Typs. Schließen Sie den Sicherungshalter.

## Digitalkamera

Das Levenhuk MED D10T wird mit einer Digitalkamera (Abbildung 2a), das Levenhuk MED D10T LCD mit einer Digitalkamera und LCD-Bildschirm (Abbildung 2b) geliefert. Die Digitalkamera wird im dritten Okulartubus installiert, ermöglicht detailreiche Probenbeobachtungen in realistischen Farben auf dem großen Bildschirm. Zusätzlich können Sie Fotos und Videos aufzeichnen, zur späteren Verwendung natürlich auch speichern.

## Technische Angaben

| Artikelnummer                         | 73983  | 73984                                      | 73985                                      | 73986  | 73987                                  |
|---------------------------------------|--|--|--|--|--|
| Modell                                | MED 10M  | MED 10B                                    | MED 10T                                    | MED D10T   | MED D10T LCD                           |
| Typ                                   | biologisch/optisch                                       |  |  | biologisch/optisch, digital                              |  |
| Mikroskopieverfahren                  | Hellfeld   |  |  | Hellfeld   |  |
| Vergrößerung                          | 40- bis 1000-fach  |  |  | 40- bis 1000-fach  |  |
| Pupillenabstand                       | –  | 48–75 mm                                   |  | 48–75 mm   |  |
| Okularkopf                            | Monokular, um 360 ° drehbar, 45 ° Neigung                | Binokular, um 360 ° drehbar, 30 ° Neigung  | Trinokular, um 360 ° drehbar, 30 ° Neigung | Trinokular, um 360 ° drehbar, 30 ° Neigung               |  |
| Optikmaterial                         | optisches Glas mit antifungierender Beschichtung         |  |  | optisches Glas mit antifungierender Beschichtung         |  |
| Okulartubusdurchmesser                | 21 mm (innen), 26 mm (außen, mit Gewinde)                | 23,2 mm                                    |  | 23,2 mm  |  |
| Dritter vertikaler Okulartubus        | –  |  | 23,2 mm                                    | 23,2 mm  |  |
| Okulare                               | WF10x/18 mm (1 Stück)                                    | WF10x/18 mm (2 Stck.)                      |  | WF10x/18 mm (2 Stck.)                                    |  |
| Okular-Dioptrienausgleich             | –  | ±5 D                                       |  | ±5 D   |  |
| Objektive                             | achromatisch: 4-, 10-, 40-fach (xs), 100-fach (Öl)       |  |  | achromatisch: 4-, 10-, 40-fach (xs), 100-fach (Öl)       |  |
| Revolver                              | 4 Objektive  |  |  | 4 Objektive  |  |
| Objekttisch-Bewegungsbereich          | 70/50 mm   |  |  | 70/50 mm   |  |
| Objekttisch                           | mechanischer Kreuztisch, 125x130mm, mit physischer Skala |  |  | mechanischer Kreuztisch, 125x130mm, mit physischer Skala |  |
| Fokussierung                          | Koaxial, Grobtrieb (30 mm) und Feintrieb (0,002 mm)      |  |  | Koaxial, Grobtrieb (30 mm) und Feintrieb (0,002 mm)      |  |
| Kondensator                           | Abbe N.A., 1,25-Irisblende und Filter                    |  |  | Abbe N.A., 1,25-Irisblende und Filter                    |  |
| Gehäuse                               | Metall   |  |  | Metall   |  |
| Beleuchtung                           | von unten (5-W-LED) mit Helligkeitsregelung              |  |  | von unten (5-W-LED) mit Helligkeitsregelung              |  |
| Filter                                | blau, gelb, grün   |  |  | blau, gelb, grün   |  |
| Fläschchen mit Immersionsöl           | +  |  |  | +  |  |
| Sicherung                             | 2 Stck.  |  |  | 2 Stck.  |  |
| Stromversorgung                       | 100–240 V, über Netzteil                                 |  |  | 100–240 V, über Netzteil                                 |  |
| Digitalkamera                         | –  |  |  | 5,1 Megapixel  | 5 Megapixel mit LCD-Bildschirm         |
| Kamerastromversorgung                 | –  |  |  | 5 V Gleichspannung, per USB-2.0-Kabel                    | 12 V Gleichspannung/2 A, über Netzteil |
| Weiteres Zubehör (separat erhältlich) | Semiplanobjektive: 4x, 10x, 20xs, 40xs, 60xs, 100xs (Öl) |  |  | Semiplanobjektive: 4x, 10x, 20xs, 40xs, 60xs, 100xs (Öl) |  |
|                                       | Planobjektive: 4x, 10x, 20xs, 40xs, 60xs, 100xs (Öl)     |  |  | Planobjektive: 4x, 10x, 20xs, 40xs, 60xs, 100xs (Öl)     |  |
|                                       | –  | Okulare (23,2 mm): 5-, 12,5-, 16-, 20-fach |  | Okulare (23,2 mm): 5-, 12,5-, 16-, 20-fach               |  |
|                                       | Dunkelfeldkondensator                                    |  |  | Dunkelfeldkondensator                                    |  |
|                                       | –  |  | Digitalkamera                              | –  |  |

Levenhuk behält sich das Recht vor, Produkte ohne vorherige Ankündigung zu modifizieren oder einzustellen.





**VORSICHT!** In den meisten europäischen Ländern beträgt die Netzspannung 220–240 V. Soll das Gerät in einem Land mit abweichender Netzspannung eingesetzt werden, ist unbedingt ein Spannungswandler zu verwenden. Das Mikroskop muss geerdet werden. Vergewissern Sie sich, dass die am Mikroskopgehäuse angegebene Spannung mit Ihrer örtlichen Versorgungsspannung übereinstimmt.

## Pflege und Wartung

- **Richten Sie das Instrument unter keinen Umständen direkt auf die Sonne, andere helle Lichtquellen oder Laserquellen. Es besteht die Gefahr DAUERHAFTER NETZZHAUTSCHÄDEN und ERBLINDUNGSGEFAHR.**
- Treffen Sie geeignete Vorsichtsmaßnahmen, wenn Kinder oder Menschen das Instrument benutzen, die diese Anleitung nicht gelesen bzw. verstanden haben.
- Prüfen Sie nach dem Auspacken Ihres Mikroskops und vor der ersten Verwendung die einzelnen Komponenten und Verbindungen auf ihre Beständigkeit.
- Versuchen Sie nicht, das Instrument eigenmächtig auseinanderzunehmen. Wenden Sie sich für Reparaturen an ein spezialisiertes Servicecenter vor Ort.
- Schützen Sie das Instrument vor plötzlichen Stößen und anderen mechanischen Belastungen. Üben Sie beim Fokussieren keinen übermäßigen Druck aus. Wenden Sie keine übermäßige Kraft auf die Feststellschrauben und Fixierungsschrauben an.
- Berühren Sie die optischen Oberflächen nicht mit den Fingern. Verwenden Sie zur äußerlichen Reinigung des Instruments ausschließlich die speziellen Reinigungstücher und das spezielle Optik-Reinigungszubehör von Levenhuk. Reinigen Sie die Optik nicht mit korrodierenden Flüssigkeiten oder Flüssigkeiten auf Acetonbasis.
- Schleifkörper wie Sandkörner dürfen nicht abgewischt werden. Sie können sie wegblasen oder einen weichen Pinsel verwenden.
- Das Instrument ist nicht für Dauerbetrieb ausgelegt. Lassen Sie das Instrument nicht in direktem Sonnenlicht zurück. Halten Sie das Instrument von Wasser und hoher Feuchtigkeit fern.
- Lassen Sie Sorgfalt bei der Beobachtung walten und setzen Sie nach Abschluss der Beobachtung die Staubabdeckung wieder auf, um das Gerät vor Staub und Verschmutzungen zu schützen.
- Bewahren Sie bei längeren Phasen der Nichtbenutzung die Objektivlinsen und Okulare getrennt vom Mikroskop auf.
- Lagern Sie das Instrument an einem trockenen, kühlen Ort, der frei von Staub, gefährlichen Säuren und anderen Chemikalien ist, und in ausreichendem Abstand zu Heizgeräten, offenem Feuer und anderen Hochtemperaturquellen.
- Setzen Sie das Mikroskop nach Möglichkeit nicht in der Nähe brennbarer Materialien oder Substanzen (Benzen, Papier, Karton, Plastik usw.) ein, da sich der Sockel bei der Verwendung erhitzen kann und dies bei Anwesenheit brennbarer Stoffe ein Brandrisiko darstellt.
- Trennen Sie das Mikroskop immer vom Strom, bevor Sie den Sockel öffnen oder die Beleuchtungslampe austauschen. Lassen Sie sowohl Glühlampen als auch Halogenlampen vor dem Auswechseln zunächst abkühlen, und ersetzen Sie sie stets durch Lampen desselben Typs.
- Verwenden Sie stets eine Stromquelle mit der Spannung, die in den technischen Angaben zu Ihrem Mikroskop spezifiziert ist. Wird das Instrument an eine Steckdose mit abweichender Spannung angeschlossen, ist mit Beschädigung der elektrischen Schaltkreise des Mikroskops, Durchbrennen der Lampe oder sogar Kurzschlüssen zu rechnen.
- **Bei Verschlucken eines Kleinteils oder einer Batterie umgehend ärztliche Hilfe suchen!**

## Lebenslange internationale Garantie

Levenhuk garantiert für alle Teleskope, Mikroskope, Ferngläser und anderen optischen Erzeugnisse mit Ausnahme von Zubehör **lebenslanglich** die Freiheit von Material- und Herstellungsfehlern. Die lebenslange Garantie ist eine Garantie, die für die gesamte Lebensdauer des Produkts am Markt gilt. Für Levenhuk-Zubehör gewährleistet Levenhuk die Freiheit von Material- und Herstellungsfehlern innerhalb von **zwei Jahren** ab Kaufdatum. Produkte oder Teile davon, bei denen im Rahmen einer Prüfung durch Levenhuk ein Material- oder Herstellungsfehler festgestellt wird, werden von Levenhuk repariert oder ausgetauscht. Voraussetzung für die Verpflichtung von Levenhuk zu Reparatur oder Austausch eines Produkts ist, dass dieses zusammen mit einem für Levenhuk ausreichenden Kaufbeleg an Levenhuk zurückgesendet wird.

Diese Garantie erstreckt sich nicht auf Verbrauchsmaterialien wie Leuchtmittel (Glühbirnen, LEDs, Halogen- und Energiesparlampen u. a.), Batterien (wiederaufladbare Akkus und nicht wiederaufladbare Batterien), elektrisches Verbrauchsmaterial usw.

Weitere Einzelheiten entnehmen Sie bitte unserer Website: [www.levenhuk.de/garantie](http://www.levenhuk.de/garantie)

Bei Problemen mit der Garantie, oder wenn Sie Unterstützung bei der Verwendung Ihres Produkts benötigen, wenden Sie sich an die lokale Levenhuk-Niederlassung.

## Información general

Lea detenidamente el manual del usuario antes de comenzar a trabajar con un microscopio. Los microscopios biológicos de la serie Levenhuk MED son seguros para el consumidor y el medio ambiente cuando se usan debidamente, y cumplen los requisitos de las normas internacionales. Estos microscopios están diseñados para observar objetos transparentes con luz transmitida mediante la técnica de campo claro. Mostrano buone prestazioni nella ricerca clinica e nei test, per le dimostrazioni didattiche, la batterioscopia e l'osservazione di preparati cellulari in ambiente medico e ospedaliero, in laboratori, università e scuole; è possibile utilizzarli anche per la ricerca scientifica per le scienze agrarie e la microbiologia.

## Montaje del microscopio

- Desempaquete el microscopio con cuidado y colóquelo sobre una superficie plana.
- Retire las bolsas de plástico y la cubierta contra el polvo del cabezal.
- Instale el cabezal monocular, binocular o trinocular y apriete el tornillo de bloqueo.
- Examine todos los artículos incluidos en el kit y determine su función.
- Conecte el cable de alimentación al microscopio y a la toma de corriente.

## Utilización

Consulte la figura 1a (modelo monocular), figura 1b (modelo binocular) y la figura 1c (modelo trinocular).

- Encienda la alimentación y la iluminación se encenderá. Establezca el brillo en aproximadamente el 70%. Coloque la muestra en la platina. Asegúrese de que las pinzas sostengan la muestra firmemente en su lugar.
- El diafragma iris se debe ajustar de acuerdo con la apertura numérica de la lente seleccionada. La práctica recomendada es hacer que la apertura del diafragma iris sea un poco más pequeña que la apertura de la lente seleccionada. Abra o cierre el diafragma iris con los tornillos de ajuste. Si el tornillo de ajuste está girado hacia la derecha, el diafragma iris está completamente abierto. **Nota:** el diafragma no está diseñado para ajustar el brillo de la iluminación. Para ajustar el brillo, utilice el mando de ajuste del brillo.
- Deslice el soporte de filtro, coloque el filtro en él y luego devuelva el soporte a su posición inicial.
- Para cambiar el factor de ampliación del objetivo, gire el revólver giratorio hasta que quede encajado.
- Tenga cuidado de que la lente no toque la muestra cuando ajuste el enfoque: gire el mando de enfoque aproximado hasta que la muestra esté a unos 3,175 mm de distancia de la lente.
- Mientras mira a través de ocular, gire lentamente el mando de enfoque aproximado hasta que pueda ver la imagen de la muestra observada. Gire el mando de enfoque preciso para que imagen sea nítida. El mecanismo de enfoque preciso le permite enfocar en la muestra observada cuando utiliza grandes aumentos.
- Cuando utiliza un objetivo de inmersión en aceite, el espacio entre la muestra y la lente se debe llenar con aceite de inmersión. Coloque el condensador en la posición alta y coloque una gota de aceite en la lente y en el cubreobjetos de la muestra. Mueva el revólver giratorio hacia adelante y hacia atrás para eliminar las burbujas de aire presentes en el aceite. Luego, fije la lente objetivo en su posición de trabajo. Asegúrese de que el aceite llene todo el espacio entre la lente objetivo y la muestra. Después de su uso, seque la lente.
- Para colocar la muestra en el campo de visión, mueva la platina horizontalmente hacia adelante y hacia atrás o hacia la izquierda y hacia la derecha mediante el mando de movimiento de la platina.
- Mire a través del ocular derecho con su ojo derecho y ajuste la nitidez de la imagen con los mandos de enfoque aproximado y enfoque preciso. Modelos binoculares y trinoculares: Luego, mire a través del ocular izquierdo con su ojo izquierdo y gire el anillo de ajuste de dioptrías para igualar la diferencia entre la visión de sus ojos izquierdo y derecho. Registre las posiciones de ajuste para un uso futuro. Ajuste la distancia entre los tubos oculares del cabezal binocular para que la imagen se fusione y forme un solo círculo.
- Modelos trinoculares: puede instalar la cámara digital en el tercer tubo ocular.

## Reemplazo de fusibles

Desenchufe el microscopio de la fuente de alimentación. Abra el portafusibles ubicado en la parte posterior del cuerpo del microscopio con un destornillador de cabeza plana. Retire el fusible antiguo e instale uno nuevo. Utilice solo los tipos apropiados de fusibles. Cierre el portafusibles.

## Cámara digital

El modelo Levenhuk MED D10T viene con una cámara digital (fig. 2a), el modelo Levenhuk MED D10T LCD viene con una cámara digital provista de una pantalla LCD (fig. 2b). La cámara digital se instala en el tercer tubo ocular y permite observar especímenes en la pantalla con gran detalle y colores naturales, tomar fotos y grabar vídeos, y guardar las imágenes para una consulta futura.

## Especificaciones

| ID de producto                                 | 73983  | 73984  | 73985   | 73986  | 73987   |
|--|--|--|---|--|---|
| Modelo   | MED 10M  | MED 10B  | MED 10T   | MED D10T   | MED D10T LCD                                    |
| Tipo   | biológico / óptico   |  |   | biológico / óptico, digital  |   |
| Método de observación                          | campo claro  |  |   | campo claro  |   |
| Ampliación:                                    | 40–1000x   |  |   | 40–1000x   |   |
| Distancia interpupilar                         | –  | 48–75 mm   |   | 48–75 mm   |   |
| Cabezal  | monocular,<br>giratorio 360°,<br>inclinado a 45°                       | binocular,<br>giratorio 360°,<br>inclinado a 30° | trinocular,<br>giratorio 360°,<br>inclinado a 30° | trinocular, giratorio 360°,<br>inclinado a 30°                         |   |
| Material de la óptica                          | vidrio óptico con revestimiento antifúngico                            |  |   | vidrio óptico con revestimiento antifúngico                            |   |
| Diámetro del tubo ocular                       | 21 mm<br>(interno), 26 mm<br>(externo,<br>con rosca)                   | 23,2 mm  |   | 23,2 mm  |   |
| Tercer tubo ocular vertical                    | –  |  | 23,2 mm   | 23,2 mm  |   |
| Oculares                                       | WF10x/18 mm<br>(1 unidad)  | WF10x/18 mm (2 unidades)                         |   | WF10x/18 mm (2 unidades)   |   |
| Ajuste de dioptrías del ocular                 | –  | ±5 D   |   | ±5 D   |   |
| Objetivos                                      | acromático: 4x, 10x, 40xs, 100xs (aceite)                              |  |   | acromático: 4x, 10x, 40xs, 100xs (aceite)                              |   |
| Revólver giratorio                             | 4 objetivos  |  |   | 4 objetivos  |   |
| Rango de desplazamiento de la platina          | 70/50 mm   |  |   | 70/50 mm   |   |
| Platina  | mecánica, de doble capa, 125x130 mm,<br>con micrómetro mecánico        |  |   | mecánica, de doble capa,<br>125x130 mm,<br>con micrómetro mecánico     |   |
| Sistema de enfoque                             | coaxial, aproximado (30 mm) y preciso (0,002 mm)                       |  |   | coaxial, aproximado (30 mm)<br>y preciso (0,002 mm)                    |   |
| Condensador                                    | Abbe N.A. 1,25 con diafragma iris y soporte de filtro                  |  |   | Abbe N.A. 1,25 con diafragma iris<br>y soporte de filtro               |   |
| Cuerpo   | metal  |  |   | metal  |   |
| Iluminación                                    | inferior (LED de 5 W)<br>con ajuste del brillo                         |  |   | inferior (LED de 5 W)<br>con ajuste del brillo                         |   |
| Filtros  | azul, verde, amarillo  |  |   | azul, verde, amarillo  |   |
| Tubo de aceite de inmersión                    | +  |  |   | +  |   |
| Fusible  | 2 unidades   |  |   | 2 unidades   |   |
| Fuente de alimentación                         | 100–240 V, a través del adaptador de CA                                |  |   | 100–240 V, a través del adaptador<br>de CA                             |   |
| Cámara digital                                 | –  |  |   | 5,1 Mpx  | 5 Mpx con<br>pantalla LCD                       |
| Fuente de alimentación de la cámara            | –  |  |   | CC 5 V,<br>a través del<br>cable USB 2.0                               | CC 12 V/2 A,<br>a través del<br>adaptador de CA |
| Accesorios opcionales (se venden por separado) | <i>objetivos semiplanos: 4x, 10x, 20xs, 40xs, 60xs, 100xs (aceite)</i> |  |   | <i>objetivos semiplanos: 4x, 10x, 20xs, 40xs, 60xs, 100xs (aceite)</i> |   |
|  | <i>objetivos planos: 4x, 10x, 20xs, 40xs, 60xs, 100xs (aceite)</i>     |  |   | <i>objetivos planos: 4x, 10x, 20xs, 40xs, 60xs, 100xs (aceite)</i>     |   |
|  | –  | <i>oculares (D 23,2 mm): 5x, 12,5x, 16x, 20x</i> |   | <i>oculares (D 23,2 mm): 5x, 12,5x, 16x, 20x</i>                       |   |
|  | <i>condensador de campo oscuro</i>                                     |  |   | <i>condensador de campo oscuro</i>                                     |   |
|  | –  |  | <i>cámara digital</i>                             | –  |   |

Levenhuk se reserva el derecho a modificar o descatalogar cualquier producto sin previo aviso.



**Advertencia!** Tenga en cuenta que la tensión de red en la mayor parte de los países europeos es 220–240 V. Si va a utilizar este aparato en un país con una tensión de red diferente, recuerde que es absolutamente necesario utilizar un convertidor. El microscopio debe tener conexión a tierra. Asegúrese de que el voltaje de la red coincida con el voltaje indicado en el cuerpo del microscopio.

## Cuidado y mantenimiento

- **Nunca, bajo ninguna circunstancia, mire directamente al sol, a otra fuente de luz intensa o a un láser a través de este instrumento, ya que esto podría causar DAÑO PERMANENTE EN LA RETINA y CEGUERA.**
- Tome las precauciones necesarias si utiliza este instrumento acompañado de niños o de otras personas que no hayan leído o que no comprendan totalmente estas instrucciones.
- Tras desembalar el microscopio y antes de utilizarlo por primera vez, compruebe el estado y la durabilidad de cada componente y cada conexión.
- No intente desmontar el instrumento usted mismo bajo ningún concepto, ni siquiera para limpiar el espejo. Si necesita repararlo o limpiarlo, contacte con el servicio técnico especializado que corresponda a su zona.
- Proteja el instrumento de impactos súbitos y de fuerza mecánica excesiva. No aplique una presión excesiva al ajustar el foco. No apriete demasiado los tornillos de bloqueo.
- No toque las superficies ópticas con los dedos. Para limpiar el exterior del instrumento, utilice únicamente los paños y herramientas de limpieza especiales de Levenhuk. No limpie las superficies ópticas con fluidos corrosivos ni a base de acetonas.
- No limpie las partículas abrasivas, como por ejemplo arena, con un paño. Únicamente soplelas o bien pase un cepillo blando.
- No utilice este dispositivo durante periodos largos de tiempo ni lo deje sin atender bajo la luz directa del sol. Protéjalo del agua y la alta humedad.
- Tenga cuidado durante las observaciones y cuando termine recuerde volver a colocar la cubierta para proteger el dispositivo del polvo y las manchas.
- Si no va a utilizar el microscopio durante periodos largos de tiempo, guarde las lentes del objetivo y los oculares por separado del microscopio.
- Guarde el instrumento en un lugar seco y fresco, alejado de ácidos peligrosos y otros productos químicos, radiadores, de fuego y de otras fuentes de altas temperaturas.
- Cuando uses el microscopio intenta no hacerlo cerca de materiales o sustancias inflamables (benceno, papel, cartón, plástico, etc.) ya que la base puede calentarse con el uso y suponer un riesgo de incendio.
- Desconecta siempre el microscopio de la fuente de alimentación antes de abrir la base o cambiar la bombilla. Independientemente del tipo de lámpara (halógena o incandescente), dale tiempo de enfriarse antes de cambiarla y sustitúyela siempre por otra del mismo tipo.
- Utiliza siempre una fuente de alimentación con el voltaje apropiado, el indicado en las especificaciones de tu nuevo microscopio. Si conectas el instrumento a un enchufe distinto podrías dañar el circuito eléctrico, fundir la lámpara o incluso provocar un cortocircuito.
- **En el caso de que alguien se trague una pieza pequeña o una pila, busque ayuda médica inmediatamente.**

## Garantía internacional de por vida Levenhuk

Todos los telescopios, microscopios, prismáticos y otros productos ópticos de Levenhuk, excepto los accesorios, cuentan con una **garantía de por vida contra defectos de material y de mano de obra**. La garantía de por vida es una garantía a lo largo de la vida del producto en el mercado. Todos los accesorios Levenhuk están garantizados contra defectos de material y de mano de obra durante **dos años** a partir de la fecha de compra en el minorista. Levenhuk reparará o reemplazará cualquier producto o pieza que, una vez inspeccionada por Levenhuk, se determine que tiene defectos de materiales o de mano de obra.

Para que Levenhuk pueda reparar o reemplazar estos productos, deben devolverse a Levenhuk junto con una prueba de compra que Levenhuk considere satisfactoria.

Esta garantía no cubre productos consumibles como bombillas (eléctricas, LED, halógenas, de bajo consumo y otros tipos de lámparas), pilas (recargables y no recargables), consumibles eléctricos, etc.

Para más detalles visite nuestra página web: [www.levenhuk.es/garantia](http://www.levenhuk.es/garantia)

En caso de problemas con la garantía o si necesita ayuda en el uso de su producto, contacte con su oficina de Levenhuk más cercana.

## Általános Információk

Figyelmesen olvassa el a felhasználói kézikönyvet, mielőtt dolgozni kezdene a mikroszkóppal. A Levenhuk MED sorozatú biológiai mikroszkópok normál használat esetén a vásárló egészségére, életére, tulajdonára és a környezetre nem ártalmasak, továbbá megfelelnek a nemzetközi szabványoknak. A mikroszkópokat áteső fényben történő, világos látóterű módszert használó megfigyelésre tervezték. Jól teljesítenek klinikai kutatásban és vizsgálatokban; oktatási bemutatókban; orvosi és egészségügyi intézményekben, laboratóriumokban, egyetemeken, iskolákban; mezőgazdaságban és mikrobiológiában tudományos kutatáshoz használhatók.

## A mikroszkóp összeszerelése

- Óvatosan csomagolja ki a mikroszkópot és helyezze egyenes felületre.
- Távolítsa el a műanyag zacskókat és a szemlencse fejrészről a porvédő fedelet.
- Szerelje fel az egy-, kettő-, vagy háromszemlencsés fejrészt és húzza meg a szorítócsavart.
- Vizsgáljon meg a készletben mindent, határozza meg mire valók.
- Csatlakoztassa a tápkábelt a mikroszkóphoz és dugja be.

## Használat

Lásd az 1a (egyszemlencsés modell), 1b (kétszemlencsés modell) és az 1c (háromszemlencsés modell) ábrát.

- Kapcsolja be az áramot és a világítás működni kezd. Mintegy 70%-ra állítsa be a fényerőt. Helyezze a mintát a tárgyasztalra. Figyeljen, hogy a szorítók stabilan tartsák a helyükön a mintát.
- Az írisz fényrekeszt a lencse f számának megfelelően kell beállítani. A gyakorlat azt mutatja, hogy legjobb az írisz fényrekeszt kissé kisebbre állítani a kiválasztott lencse rekesznyílásánál. Nyissa ki vagy zárja be az írisz diafragmát az állítócsavarokkal. Az írisz fényrekeszt teljesen nyitva van, ha jobbra fordítják el az állítócsavart. **Megjegyzés:** A fényrekesznek nem célja a megvilágítás fényerejének állítása. A fényerő állításához a fényerősség állító gombot használja.
- Csúsztassa ki a szűrőtartót, tegye bele a szűrőt, majd vigye vissza a tartót az eredeti helyzetébe.
- Az objektív nagyításának módosításához fordítsa el kattanásig a revolverfejet.
- Figyeljen a fókusz beállításakor, hogy a lencse ne érjen a mintához: forgassa a durva-fókuszállító gombot, hogy a minta körülbelül 3,175 mm (1/8") távolságra legyen a lencsétől.
- A szemlencsébe nézve forgassa lassan a durva-fókuszállító gombot, amíg meg nem látja a vizsgált minta képét. A finom-fókuszállító gomb forgatásával állítsa élesre a képet. A finom fókuszáló szerkezet nagy nagyítás mellett teszi lehetővé a vizsgált mintára fókuszálást.
- Olajimmerziós objektív használatakor a minta és a lencse közötti tért immerziós olaj tölti ki. Emelje a felső helyzetbe a kondenzort és tegyen az objektívra és a mintát fedő üvegre egy csepp olajat. Mozgassa a revolverfejet előre és hátra, hogy eltávolítsa az olajban lévő levegőbuborékokat. Ezután rögzítse a tárgylencsét a munkapozíciójában. Győződjön meg arról, hogy az olaj kitölti-e a tárgylencse és a minta közötti teljes teret. Használat után törölje szárazra az objektívet.
- Hozza be a mintát a látómezőbe úgy, hogy a tárgyasztalt vízszintesen előre-hátra vagy jobbra-balra mozgatja a tárgyasztal mozgó gombbal.
- Jobb szemével nézzen a szemlencsébe és állítsa be a kép élességet a durva- és a finomfókusz-állító gombokkal. Egyszemlencsés, kétszemlencsés modellek: Utána nézzen bal szemével a bal szemlencsébe és forgassa a dioptria-állító gyűrűt, hogy kiegyenlítse a bal és jobb szem látáserejének közötti különbséget. Jegyezze meg a beállítást, hogy azt később is használhassa. Állítsa be a kétszemlencsés fejrész szemlencsecsővei közötti távolságot úgy, hogy a kép egyetlen körré olvadjon össze.
- Trinokuláris modell: A digitális kamera a harmadik szemlencsecsőre szerelhető.

## Biztosító csere

Húzza ki a mikroszkópot a tápellátásról. Csavarhúzóval nyissa ki a mikroszkóp váz hátoldalán az olvadó biztosító csavaros kupakját. Vegye ki a régi biztosítót és tegyen be újat. Csakis megfelelő típusú biztosítót használjon. Zárja rá a biztosító kupakot.

## Digitális kamera

A Levenhuk MED D10T modellhez digitális kamera (2a ábra), a Levenhuk MED D10T LCD modellhez pedig LCD-kijelzős digitális kamera (2b ábra) tartozik. A digitális kamera a harmadik szemlencsecsőre kerül, és lehetővé teszi a minta megfigyelését a képernyőn kiváló részletességben és valódi színekkel, fényképek és videók készíthetők vele és a képek elmentve később is megtekinthetők.

## Műszaki adatok

| Termékazonosító                                   | 73983  | 73984   | 73985   | 73986  | 73987                      |
|---|--|---|---|--|----------------------------|
| Modell  | MED 10M  | MED 10B   | MED 10T   | MED D10T   | MED D10T LCD               |
| Típus   | biológiai/optikai  |   |   | biológiai/optikai, digitális                                       |                            |
| Vizsgálati módszer                                | világos látótér  |   |   | világos látótér  |                            |
| Nagyítás  | 40–1000x   |   |   | 40–1000x   |                            |
| Pupillatávolság                                   | –  | 48–75 mm  |   | 48–75 mm   |                            |
| Szemlencse fejrész                                | egyszemlencsés, 360°-ban elforgatható, 45°-os szögben döntött      | kétszemlencsés, 360°-ban elforgatható, 30°-os szögben döntött | háromszemlencsés, 360°-ban elforgatható, 30°-os szögben döntött | háromszemlencsés, 360°-ban elforgatható, 30°-os szögben döntött    |                            |
| Optika anyaga                                     | optikai üveg gombaölő bevonattal                                   |   |   | optikai üveg gombaölő bevonattal                                   |                            |
| A szemlencsecső átmérője                          | 21 mm (belső), 26 mm (külső, menettel)                             | 23,2 mm   |   | 23,2 mm  |                            |
| Harmadik függőleges szemlencsecső                 | –  | 23,2 mm   |   | 23,2 mm  |                            |
| Szemlencsék                                       | WF10x/18 mm (1 db)   | WF10x/18 mm (2 db)  |   | WF10x/18 mm (2 db)   |                            |
| A szemlencse dioptriája állítható                 | –  | ±5 D  |   | ±5 D   |                            |
| Objektívek  | akromatikus: 4x, 10x, 40xs, 100xs (olaj)                           |   |   | akromatikus: 4x, 10x, 40xs, 100xs (olaj)                           |                            |
| Revolverfej                                       | 4 objektív   |   |   | 4 objektív   |                            |
| Tárgyasztal elmozdulási tartomány                 | 70/50 mm   |   |   | 70/50 mm   |                            |
| Tárgyasztal                                       | kétrétegű mechanikus, 125x130 mm, mechanikus skálával              |   |   | kétrétegű mechanikus, 125x130 mm, mechanikus skálával              |                            |
| Élességállítási (más néven: fókuszálási) rendszer | koaxiális, durva (30 mm) és finom (0,002 mm)                       |   |   | koaxiális, durva (30 mm) és finom (0,002 mm)                       |                            |
| Kondenzor   | Abbe N.A. 1,25 írisz diafragma és szűrőtartó                       |   |   | Abbe N.A. 1,25 írisz diafragma és szűrőtartó                       |                            |
| Váz   | fém  |   |   | fém  |                            |
| Megvilágítás                                      | alsó (5 W LED) fényerő-szabályozással                              |   |   | alsó (5 W LED) fényerő-szabályozással                              |                            |
| Szűrők  | kék, zöld, sárga   |   |   | kék, zöld, sárga   |                            |
| Fiolányi immerziós olaj                           | +  |   |   | +  |                            |
| Biztosító   | 2 db   |   |   | 2 db   |                            |
| Tápellátás  | 100–240 V, AC tápadapterről  |   |   | 100–240 V, AC tápadapterről  |                            |
| Digitális kamera                                  | –  |   |   | 5,1 Mpx  | 5 Mpx LCD-kijelzővel       |
| Kamera tápellátás                                 | –  |   |   | DC 5 V, USB 2.0 kábellel   | DC 12 V/2 A, AC-adapterrel |
| Opcionális tartozékok (külön vásárolható meg)     | <i>fél-sík objektívek: 4x, 10x, 20xs, 40xs, 60xs, 100xs (olaj)</i> |   |   | <i>fél-sík objektívek: 4x, 10x, 20xs, 40xs, 60xs, 100xs (olaj)</i> |                            |
|   | <i>sík objektívek: 4x, 10x, 20xs, 40xs, 60xs, 100xs (olaj)</i>     |   |   | <i>sík objektívek: 4x, 10x, 20xs, 40xs, 60xs, 100xs (olaj)</i>     |                            |
|   | –  | <i>szemlencsék (D 23,2 mm): 5x, 12,5x, 16x, 20x</i>           |   | <i>szemlencsék (D 23,2 mm): 5x, 12,5x, 16x, 20x</i>                |                            |
|   | <i>sötét látóterű kondenzor</i>                                    |   |   | <i>sötét látóterű kondenzor</i>                                    |                            |
|   | –  | <i>digitális kamera</i>                                       |   | –  |                            |

A Levenhuk vállalat fenntartja a jogot, hogy bármely termékét előzetes értesítés nélkül módosítsa vagy kivonja a forgalomból.



**Vigyázat!** Ne feledje, hogy az Egyesült Államokban és Kanadában a hálózati feszültség 110 V, míg a legtöbb európai országban 220–240 V. Kérjük, a megfelelő feszültséggel kapcsolatban nézze meg a műszaki leírást.  
A mikroszkópot földelni kell. Ellenőrizze, hogy a hálózati feszültség megfeleljen a mikroszkóp vázán jelzett feszültségnek.

## Ápolás és karbantartás

- Ennek az eszköznek a használatával soha, semmilyen körülmények között ne nézzen közvetlenül a Napba, vagy egyéb, nagyon erős fényforrásba vagy lézersugárba, mert ez **MARADANDÓ KÁROSODÁST OKOZ A RETINÁJÁBAN ÉS MEG IS VAKULHAT.**
- Legyen kellően óvatos, ha gyermekekkel vagy olyan személyekkel együtt használja az eszközt, akik nem olvasták vagy nem teljesen értették meg az előbbieken felsorolt utasításokat.
- A mikroszkóp kicsomagolása után, de még annak legelső használata előtt ellenőrizze az alkatrészek és csatlakozások sérülésmentes állapotát és tartósságát.
- Bármi legyen is az ok, semmiképpen ne kísérelje meg szétszerelni az eszközt. Ha javításra vagy tisztításra szorul az eszköz, akkor keresse fel az erre a célra specializálódott helyi szolgáltatóközpontot.
- Óvja az eszközt a hirtelen behatásoktól és a hosszabb ideig tartó mechanikai erőktől. Ne használjon túlzott erőt a fókusz beállításánál. Ne húzza túl a szorítócsavarokat.
- Az optikai elemek felületéhez soha ne érjen az ujjával. Az eszköz külső megtisztításához használja a Levenhuk által erre a célra gyártott tisztítókendőt és optikai tisztító eszközöket. Az optikai elemek tisztításához ne használjon maró hatású vagy aceton-alapú folyadékokat.
- A koptató hatású részecskéket, például a homokot ne törléssel, hanem fújással vagy puha ecsettel távolítsa el a lencséről.
- Ne használja az eszközt hosszú időtartamon keresztül a tűző napon, vagy ne hagyja ott felügyelet nélkül. Tartsa az eszközt víztől és magas páratartalomtól védett helyen.
- Legyen körültekintő a megfigyelések során, mindig helyezze vissza a porvédőt a megfigyelés befejeztével, így megóvhatja eszközét a portól és a szennyeződésektől.
- Ha a mikroszkóp hosszabb ideig használaton kívül van, akkor a mikroszkóptól elkülönítetten tárolja az objektívlencsákat és a szemlencsákat.
- Száraz, hűvös helyen tárolja az eszközt, veszélyes savaktól és egyéb kémiai anyagoktól elkülönítetten, hősugárzóktól, nyílt lángtól és egyéb, magas hőmérsékletet leadni képes forrásoktól távol.
- Lehetőség szerint ne használja a mikroszkópot gyúlékony anyagok közelében (benzol, papír, kartonlap, műanyag, stb.), mivel a megfigyelés során a mikroszkóp talpazata felmelegedhet és így tűzveszélyessé válhat.
- A talpazat kinyitása vagy a megvilágítást biztosító izzó kicserélése előtt minden esetben áramtalanítsa a mikroszkópot. Csere előtt az izzó típusától függetlenül (halogén vagy hagyományos) minden esetben várja meg, amíg az izzó lehűl, és mindig ugyanolyan típusú izzót használjon.
- A tápellátást mindig a megfelelő hálózati feszültségi szint mellett használja, azaz kövesse az újonnan vásárolt mikroszkópjának műszaki leírását. Az eszköznek a leírástól eltérő típusú aljzathoz történő csatlakoztatása tönkretelheti a mikroszkóp áramkörét, kiegészít az izzó vagy akár rövidzárlatot is okozhat ezzel.
- Azonnal forduljon orvoshoz, amennyiben bárki lenyelt egy kis alkatrészt vagy elemet.

## A Levenhuk nemzetközi, élettartamra szóló szavatossága

A Levenhuk vállalat a kiegészítők kivételével az összes Levenhuk gyártmányú teleszkóphoz, mikroszkóphoz, kétszemes távcsőhöz és egyéb optikai termékhez élettartamra szóló szavatosságot nyújt az anyaghibák és/vagy a gyártási hibák vonatkozásában. Az **élettartamra szóló szavatosság** a termék piaci forgalmazási időszakának a végéig érvényes. A Levenhuk-kiegészítőkhöz a Levenhuk-vállalat a kiskereskedelmi vásárlás napjától számított **két évig** érvényes szavatosságot nyújt az anyaghibák és/vagy a gyártási hibák vonatkozásában. A Levenhuk vállalat vállalja, hogy a Levenhuk vállalat általi megvizsgálás során anyaghibásnak és/vagy gyártási hibásnak talált terméket vagy termékalkatrészt megjavítja vagy kicseréli. A Levenhuk vállalat csak abban az esetben köteles megjavítani vagy kicserélni az ilyen terméket vagy termékalkatrészt, ha azt a Levenhuk vállalat számára elfogadható vásárlási bizonylattal együtt visszaküldik a Levenhuk vállalat felé.

Ez a szavatosság nem vonatkozik a fogyóeszközökre, például az izzólámpákra (függetlenül attól, hogy azok hagyományos elektromos izzók, LED-es izzók, halogén izzók, energiatakarékos izzók vagy más típusú izzók-e), az elemekre (beleértve a nem tölthető elemeket és a tölthető akkumulátorokat is), az elektromos fogyóeszközökre stb.

További részletekért látogasson el weboldalunkra: [www.levenhuk.hu/garancia](http://www.levenhuk.hu/garancia)

Amennyiben garanciális probléma lépne fel vagy további segítségre van szüksége a termék használatát illetően, akkor vegye fel a kapcsolatot a helyi Levenhuk üzlettel.

## Informazioni generali

Leggere attentamente il manuale utente prima di iniziare a usare il microscopio. I microscopi biologici della serie Levenhuk MED sono sicuri per la salute e la tutela del consumatore e dell'ambiente quando usati nel modo appropriato e rispettano tutti i requisiti degli standard internazionali. Questi microscopi sono progettati per l'osservazione di campioni trasparenti in luce trasmessa con metodo a campo chiaro. Mostrano buone prestazioni nella ricerca clinica e nei test, per le dimostrazioni didattiche, la batterioscopia e l'osservazione di preparati cellulari in ambiente medico e ospedaliero, in laboratori, università e scuole; è possibile utilizzarli anche per la ricerca scientifica per le scienze agrarie e la microbiologia.

## Montaggio del microscopio

- Estrarre il microscopio dalla confezione e posizionarlo con attenzione su una superficie piana.
- Rimuovere i sacchetti di plastica e la copertura antipolvere dalla testata oculare.
- Installare la testata monoculare, binoculare o trinoculare e stringere la vite di fissaggio.
- Ispezionare tutti gli elementi compresi nel kit per comprenderne la funzione.
- Collegare il cavo di alimentazione al microscopio e inserirlo in una presa di corrente.

## Uso

Si faccia riferimento alla fig. 1a (modello monoculare), alla fig. 1b (modello binoculare) e alla fig. 1c (modello trinoculare).

- Premere l'interruttore e accendere l'illuminazione. Impostare la luminosità al 70% circa. Posizionare il campione sul tavolino. Assicurarsi che le mollette tengano saldamente fermo il campione.
- Il diaframma a iride va regolato secondo l'apertura numerica della lente. Si consiglia di rendere il diaframma a iride leggermente più piccolo rispetto all'apertura della lente scelta. Aprire o chiudere il diaframma a iride usando la leva di regolazione. Se la leva di regolazione è tutta a destra, il diaframma a iride è completamente aperto. **Nota:** il diaframma non è pensato per la regolazione della luminosità. Per regolare la luminosità, utilizzare l'apposita manopola.
- Far scorrere il portafiltro, posizionare il filtro all'interno e riportare il supporto nella posizione iniziale.
- Per variare l'ingrandimento dell'obiettivo, ruotare il revolver portaobiettivi fino a sentire un clic.
- Assicurarsi che la lente non vada a toccare il campione durante la messa a fuoco: ruotare la manopola di regolazione grossolana finché il campione non è a circa 3,175 mm (1/8") dalla lente.
- Osservando tramite l'oculare, ruotare lentamente la manopola di messa a fuoco grossolana finché non si riesce a vedere l'immagine del campione osservato. Ruotare la manopola di messa a fuoco fine per rendere l'immagine più nitida. Il meccanismo di messa a fuoco fine consente di focalizzare il campione osservato anche ad alto ingrandimento.
- Quando si usa un obiettivo a immersione in olio, lo spazio tra il campione e la lente deve essere riempito con olio da immersione. Sollevare il condensatore il più in alto possibile e posizionare una goccia di olio sulla lente e sul coprivetrino del campione. Spostare il revolver portaobiettivi avanti e indietro per eliminare le bolle d'aria nell'olio. Quindi, fissare la lente obiettivo in posizione di lavoro. Assicurarsi che l'olio riempia tutto lo spazio tra la lente obiettivo e il campione. Asciugare la lente dopo l'uso.
- Per posizionare il campione nel campo visivo, muovere il tavolino traslatore orizzontalmente avanti e indietro o a sinistra e a destra usando l'opportuna manopola.
- Osservare tramite il rispettivo oculare con l'occhio destro e regolare la nitidezza dell'immagine con le manopola di messa a fuoco grossolana e fine. Modelli binoculari e trinoculari: osservare quindi tramite l'oculare sinistro, con l'occhio sinistro, e ruotare la ghiera di regolazione diottrica per appianare qualsiasi differenza di visione tra i due occhi. Ricordare il posizionamento per gli utilizzi futuri. Regolare la distanza tra i tubi ottici della testata binoculare in modo che l'immagine formi un unico cerchio.
- Modelli trinoculari: È possibile installare una fotocamera digitale nel terzo tubo oculare.

## Sostituzione del fusibile

Scollegare il microscopio dall'alimentazione. Aprire la scatola dei fusibili sul retro del corpo del microscopio con un cacciavite a taglio. Rimuovere il vecchio fusibile e installarne uno nuovo. Usare solo fusibili del tipo appropriato. Chiudere la scatola dei fusibili.

## Fotocamera digitale

Il modello Levenhuk MED D10T ha in dotazione una fotocamera digitale (fig. 2a), il modello Levenhuk MED D10T LCD ha in dotazione una fotocamera digitale con schermo LCD (fig. 2b). La fotocamera digitale va installata nel terzo tubo ottico e consente di osservare i campioni sullo schermo fin nei minimi dettagli e con colori realistici, di catturare foto e video e di salvare le immagini per usi futuri.



## Specifiche

| ID prodotto                                | 73983   | 73984   | 73985   | 73986   | 73987                              |
|--|---|---|---|---|------------------------------------|
| Modello                                    | MED 10M   | MED 10B   | MED 10T                                       | MED D10T  | MED D10T LCD                       |
| Tipo                                       | biologický/optický  |   |   | biologický/optický, digitální   |                                    |
| Metodo di ricerca                          | campo chiaro  |   |   | campo chiaro  |                                    |
| Ingrandimenti                              | 40–1000x  |   |   | 40–1000x  |                                    |
| Distanza interpupillare                    | –   | 48–75 mm  |   | 48–75 mm  |                                    |
| Testata oculare                            | monoculare, girevole a 360°, inclinata a 45°                          | binoculare, girevole a 360°, inclinata a 30°    | trinoculare, girevole a 360°, inclinata a 30° | trinoculare, girevole a 360°, inclinata a 30°                         |                                    |
| Materiale delle ottiche                    | vetro ottico con rivestimento antimuffa                               |   |   | vetro ottico con rivestimento antimuffa                               |                                    |
| Diametro del tubo ottico                   | 21 mm (interno), 26 mm (esterno, con filettatura)                     | 23,2 mm   |   | 23,2 mm   |                                    |
| Terzo tubo ottico verticale                | –   |   | 23,2 mm                                       | 23,2 mm   |                                    |
| Oculari                                    | WF10x/18 mm (1 pz)  | WF10x/18 mm (2 pz)                              |   | WF10x/18 mm (2 pz)  |                                    |
| Oculare con regolazione diottrica          | –   | ±5 D  |   | ±5 D  |                                    |
| Obiettivi                                  | acromatici: 4x, 10x, 40xs, 100xs (immersione in olio)                 |   |   | acromatici: 4x, 10x, 40xs, 100xs (immersione in olio)                 |                                    |
| Revolver portaobiettivi                    | 4 obiettivi   |   |   | 4 obiettivi   |                                    |
| Range di movimento del tavolino            | 70/50 mm  |   |   | 70/50 mm  |                                    |
| Tavolino                                   | meccanico a doppio stadio, 125x130 mm, con traslatore meccanico       |   |   | meccanico a doppio stadio, 125x130 mm, con traslatore meccanico       |                                    |
| Sistema di messa a fuoco                   | coassiale; grossolana (30 mm) e fine (0,002 mm)                       |   |   | coassiale; grossolana (30 mm) e fine (0,002 mm)                       |                                    |
| Condensatore                               | Abbe N.A. 1,25 con diaframma a iride e portafiltra                    |   |   | Abbe N.A. 1,25 con diaframma a iride e portafiltra                    |                                    |
| Corpo                                      | metallo   |   |   | metallo   |                                    |
| Illuminazione                              | inferiore (LED da 5 W) con regolazione della luminosità               |   |   | inferiore (LED da 5 W) con regolazione della luminosità               |                                    |
| Filtri                                     | blu, verde, giallo  |   |   | blu, verde, giallo  |                                    |
| Fiala di olio per immersione               | +   |   |   | +   |                                    |
| Fusibile                                   | 2 pz  |   |   | 2 pz  |                                    |
| Alimentazione                              | 100–240 V, tramite adattatore AC                                      |   |   | 100–240 V, tramite adattatore AC                                      |                                    |
| Fotocamera digitale                        | –   |   |   | 5,1 Mpx   | 5 Mpx con schermo LCD              |
| Alimentazione fotocamera                   | –   |   |   | 5 V DC, tramite cavo USB 2.0  | 12 V/2 A DC, tramite adattatore AC |
| Accessori optional (venduti separatamente) | <i>obiettivi semiplanari: 4x, 10x, 20xs, 40xs, 60xs, 100xs (olio)</i> |   |   | <i>obiettivi semiplanari: 4x, 10x, 20xs, 40xs, 60xs, 100xs (olio)</i> |                                    |
|  | <i>obiettivi planari: 4x, 10x, 20xs, 40xs, 60xs, 100xs (olio)</i>     |   |   | <i>obiettivi planari: 4x, 10x, 20xs, 40xs, 60xs, 100xs (olio)</i>     |                                    |
|  | –   | <i>oculari (D 23,2 mm): 5x, 12,5x, 16x, 20x</i> |   | <i>oculari (D 23,2 mm): 5x, 12,5x, 16x, 20x</i>                       |                                    |
|  | <i>condensatore per campo scuro</i>                                   |   |   | <i>condensatore per campo scuro</i>                                   |                                    |
|  | –   |   | <i>fotocamera digitale</i>                    | –   |                                    |

Levenhuk si riserva il diritto di modificare qualsiasi prodotto o sospenderne la produzione senza alcun preavviso.



**Attenzione!** Si tenga presente che la tensione di rete nella maggior parte dei paesi europei è di 220–240 V. Si tenga presente che, se si desidera utilizzare il dispositivo in un paese in cui la tensione di rete standard è differente, è assolutamente indispensabile utilizzare un convertitore di tensione. Il microscopio deve essere collegato a terra. Assicurarsi che la tensione di rete corrisponda alla tensione indicata sul corpo del microscopio.

## Cura e manutenzione

- **Non utilizzare in nessun caso questo apparecchio per guardare direttamente il sole, un'altra sorgente di luce ad alta luminosità o un laser, perché ciò potrebbe provocare DANNI PERMANENTI ALLA RETINA e portare a CECITÀ.**
- Nel caso si utilizzi l'apparecchio in presenza di bambini o altre persone che non siano in grado di leggere o comprendere appieno queste istruzioni, prendere le precauzioni necessarie.
- Dopo aver disimballato il microscopio e prima di utilizzarlo per la prima volta, verificare l'integrità e lo stato di conservazione di tutte le componenti e le connessioni.
- Non cercare per nessun motivo di smontare autonomamente l'apparecchio. Per qualsiasi intervento di riparazione e pulizia, contattare il centro di assistenza specializzato di zona.
- Proteggere l'apparecchio da urti improvvisi ed evitare che sia sottoposto ad eccessiva forza meccanica. Durante la messa a fuoco, non applicare una forza eccessiva. Non stringere eccessivamente le viti di bloccaggio.
- Non toccare le superfici ottiche con le dita. Per pulire l'esterno dell'apparecchio, utilizzare soltanto le salviette apposite e gli strumenti di pulizia dell'ottica apposti offerti da Levenhuk. Non utilizzare fluidi corrosivi o a base di acetone per pulire l'ottica del dispositivo.
- Per rimuovere eventuali particelle abrasive, ad esempio sabbia, dalle lenti, non strofinare, ma soffiare oppure utilizzare una spazzola morbida.
- Non utilizzare il dispositivo per lunghi periodi e non lasciarlo incustodito sotto i raggi diretti del sole. Non esporre il dispositivo all'acqua o a elevata umidità.
- Prestare attenzione durante le osservazioni e, una volta terminato, rimettere sempre il coperchio protettivo per proteggere l'apparecchio da polvere e macchie.
- Se non si intende utilizzare il microscopio per periodi prolungati, conservare le lenti obiettivo e gli oculari separatamente dal microscopio.
- Conservare l'apparecchio in un posto fresco e asciutto, al riparo da acidi pericolosi e altri prodotti chimici, da apparecchi di riscaldamento, da fiamme libere e da altre fonti di calore.
- Cercare di non utilizzare il microscopio in prossimità di materiali o sostanze infiammabili (benzene, carta, cartone ecc), poiché la base potrebbe riscaldarsi durante l'utilizzo e rappresentare un rischio di incendio.
- Disconnettere sempre il microscopio dall'alimentazione prima di aprire la base o sostituire la lampadina di illuminazione. Indipendentemente dal tipo di lampadina (alogeno o a incandescenza), attendere che si sia raffreddata prima di cercare di sostituirla e sostituirla sempre con una lampadina dello stesso tipo.
- Utilizzare sempre un'alimentazione di tensione adeguata, cioè quella indicata nelle specifiche del microscopio. Collegare lo strumento a una presa di alimentazione differente potrebbe provocare il danneggiamento dei circuiti elettrici del microscopio, bruciare la lampadina o addirittura causare un corto circuito.
- **In caso di ingestione di una parte di piccole dimensioni o di una batteria, richiedere immediatamente assistenza medica.**

## Garanzia internazionale Levenhuk

Tutti i telescopi, i microscopi i binocoli e gli altri prodotti ottici Levenhuk, ad eccezione degli accessori, godono di una **garanzia a vita** per i difetti di fabbricazione o dei materiali. Garanzia a vita rappresenta una garanzia per la vita del prodotto sul mercato. Tutti gli accessori Levenhuk godono di una garanzia di **due anni** a partire dalla data di acquisto per i difetti di fabbricazione e dei materiali. Levenhuk riparerà o sostituirà i prodotti o relative parti che, in seguito a ispezione effettuata da Levenhuk, risultino presentare difetti di fabbricazione o dei materiali. Condizione per l'obbligo di riparazione o sostituzione da parte di Levenhuk di tali prodotti è che il prodotto venga restituito a Levenhuk unitamente ad una prova d'acquisto la cui validità sia riconosciuta da Levenhuk.

Questa garanzia non copre le parti consumabili, come le lampadine (elettriche, LED, alogene, a risparmio energetico o altri tipi di lampadine), batterie (ricaricabili e non ricaricabili), parti elettriche consumabili, ecc.

Per maggiori dettagli, visitare il nostro sito web: [www.levenhuk.eu/warranty](http://www.levenhuk.eu/warranty)

Per qualsiasi problema di garanzia o necessità di assistenza per l'utilizzo del prodotto, contattare la filiale Levenhuk di zona.

## Informacje ogólne

Przed rozpoczęciem pracy z mikroskopem należy uważnie przeczytać instrukcję obsługi. Mikroskopy biologiczne serii Levenhuk MED są bezpieczne dla zdrowia, życia i mienia użytkownika, a także dla środowiska, jeśli są użytkowane w prawidłowy sposób. Ponadto spełniają wymogi międzynarodowych norm. Te mikroskopy zostały opracowane do obserwacji obiektów przezroczystych w świetle przechodzącym przy użyciu metody jasnego pola. To idealne przyrządy optyczne do badań i testów klinicznych, pokazów szkolnych, bakterioskopii i cytoskopii w placówkach medycznych, laboratoriach, na uniwersytetach oraz w szkołach. Mogą być także stosowane do badań naukowych w rolnictwie i mikrobiologii.

## Montaż mikroskopu

- Ostrożnie wyjmij mikroskop z opakowania i umieść go na płaskiej powierzchni.
- Zdejmij worki foliowe i osłonę przeciwpylową z głowicy okularowej.
- Zamontuj głowicę monokularową, dwuokularową lub trójokularową i dokręć śrubę blokującą.
- Sprawdź wszystkie elementy zestawu i określ ich przeznaczenie.
- Podłącz przewód zasilający do mikroskopu i do gniazdka.

## Obsługa

Zapoznaj się z rys. 1a (model monokularowy), rys. 1b (model dwuokularowy) i rys. 1c (model trójokularowy).

- Włącz zasilanie. Zostanie włączone oświetlenie. Ustaw jasność na około 70%. Umieść preparat na stoliku. Sprawdź, czy preparat jest prawidłowo zamocowany w zaczepach.
- Przystonę irysową należy wyregulować zgodnie z aperturą numeryczną soczewki. Najlepszą praktyką jest ustawienie przystony irysowej nieznacznie mniejszej niż apertura wybranej soczewki. Otwórz lub zamknij przystonę irysową za pomocą śrub regulacyjnych. Obrócenie śruby regulacyjnej w prawo powoduje pełne otwarcie przystony irysowej. **Uwaga:** przystona nie służy do regulacji jasności oświetlenia. Jasność reguluje się za pomocą pokrętła regulacji jasności.
- Przesuń uchwyt filtra, umieść w nim filtr, a następnie ustaw uchwyt w pierwotnym położeniu.
- Aby zmienić powiększenie obiektywu, obracaj miskę rewolwerową do usłyszenia kliknięcia.
- Zwróć uwagę, aby soczewka nie miała kontaktu z preparatem podczas regulacji ostrości: obracaj pokrętło zgrubnej regulacji ostrości, aż preparat znajdzie się około 3,175 mm (1/8") od soczewki.
- Patrząc w okular, powoli obracaj pokrętło zgrubnej regulacji ostrości, aż będzie widoczny obraz obserwowanego preparatu. Obracaj pokrętło precyzyjnej regulacji ostrości, aby uzyskać wyraźny obraz. Mechanizm precyzyjnej regulacji ostrości pozwala na ustawienie ostrości na obserwowanym preparacie przy dużym powiększeniu.
- W przypadku używania obiektywu z immersją olejową przestrzeń między preparatem a soczewką należy wypełnić olejkim immersyjnym. Podnieś kondensor do górnego położenia i nałóż kroplę olejku na soczewkę oraz na szklaną osłonę preparatu. Przesuń miskę rewolwerową do tyłu i do przodu, aby usunąć pęcherzyki powietrza z olejku. Następnie zamocuj soczewkę obiektywową w położeniu roboczym. Sprawdź, czy olejek pokrywa całą przestrzeń między soczewką obiektywową a preparatem. Po użyciu należy wytrzeć soczewkę do sucha.
- Aby ustawić preparat w polu widzenia, przesuwaj stolik poziomo do tyłu i do przodu lub w lewo i w prawo za pomocą pokrętła przesuwania stolika.
- Patrząc prawym okiem w prawy okular, wyreguluj ostrość obrazu za pomocą pokręteł zgrubnej i precyzyjnej regulacji ostrości. Modele dwuokularowe i trójokularowe: Następnie przyłóż lewe oko do lewego okularu i obracaj pierścień regulacji dioptrii, aby zniwelować różnicę między lewym a prawym okulem. Zapamiętaj ustawienie na przyszłość. Wyreguluj odległość między tubami okularów głowicy dwuokularowej tak, aby obraz scalał się w jeden okrąg.
- Modele trójokularowe: na tubie trzeciego okularu można zamontować aparat cyfrowy.

## Wymiana bezpiecznika

Odłącz mikroskop od źródła zasilania. Otwórz gniazdo bezpiecznika w tylnej części korpusu mikroskopu za pomocą wkrętaka płaskiego. Wyjmij stary bezpiecznik i zamontuj nowy. Należy stosować tylko bezpieczniki odpowiedniego typu. Zamknij gniazdo bezpiecznika.

## Aparat cyfrowy

Mikroskop Levenhuk MED D10T jest dostarczany z aparatem cyfrowym (rys. 2a), mikroskop Levenhuk MED D10T LCD jest dostarczany z aparatem cyfrowym z wyświetlaczem LCD (rys. 2b). Aparat cyfrowy montuje się na tubie trzeciego okularu. Pozwala on na obserwację preparatów na ekranie z niezwykłą dokładnością i zachowaniem prawdziwych barw, robienie zdjęć i nagrywanie filmów oraz zapisywanie obrazów na przyszłość.

## Dane techniczne

| Identyfikator produktu         | 73983   | 73984  | 73985   | 73986   | 73987                       |
|--------------------------------|---|--|---|---|-----------------------------|
| Model                          | MED 10M   | MED 10B  | MED 10T   | MED D10T  | MED D10T LCD                |
| Typ                            | biologiczny/optyczny  |  |   | biologiczny/optyczny, cyfrowy   |                             |
| Metoda badawcza                | jasnego pola  |  |   | jasnego pola  |                             |
| Powiększenie                   | 40–1000x  |  |   | 40–1000x  |                             |
| Rozstaw źrenic                 | –   | 48–75 mm   |   | 48–75 mm  |                             |
| Głowica okularowa              | monokularowa, obracana w zakresie 360°, nachylenie 45°                                    | dwuokularowa, obracana w zakresie 360°, nachylenie 30° | trójokularowa, obracana w zakresie 360°, nachylenie 30° | trójokularowa, obracana w zakresie 360°, nachylenie 30°                                   |                             |
| Materiał układu optycznego     | szkło optyczne z powłoką fungistatyczną   |  |   | szkło optyczne z powłoką fungistatyczną   |                             |
| Średnica tuby okularu          | 21 mm (wewnętrzny), 26 mm (zewnętrzny, z gwintem)   | 23,2 mm  |   | 23,2 mm   |                             |
| Trzecia pionowa tuba okularu   | –   | 23,2 mm  |   | 23,2 mm   |                             |
| Okulary                        | WF10x/18 mm (1 szt.)  | WF10x/18 mm (2 szt.)                                   |   | WF10x/18 mm (2 szt.)  |                             |
| Okular z regulacją dioptrii    | –   | ±5 D   |   | ±5 D  |                             |
| Obiektywy                      | achromatyczne: 4x, 10x, 40x, 100x (olejek immersyjny)                                     |  |   | achromatyczne: 4x, 10x, 40x, 100x (olejek immersyjny)                                     |                             |
| Miska rewolwerowa              | 4 obiektywy   |  |   | 4 obiektywy   |                             |
| Zakres ruchu stolika           | 70/50 mm  |  |   | 70/50 mm  |                             |
| Stolik                         | dwuwarstwowy mechaniczny, 125x130 mm, ze skalą mechaniczną                                |  |   | dwuwarstwowy mechaniczny, 125x130 mm, ze skalą mechaniczną                                |                             |
| Mechanizm regulacji ostrości   | współosiowa, zgrubna (30 mm) i precyzyjna (0,002 mm)                                      |  |   | współosiowa, zgrubna (30 mm) i precyzyjna (0,002 mm)                                      |                             |
| Kondensator                    | Abbego N.A. 1,25, przysłona irysowa i uchwyt na filtry                                    |  |   | Abbego N.A. 1,25, przysłona irysowa i uchwyt na filtry                                    |                             |
| Korpus                         | metal   |  |   | metal   |                             |
| Oświetlenie                    | dolne (5 W LED) z regulacją jasności  |  |   | dolne (5 W LED) z regulacją jasności  |                             |
| Filtry                         | światła niebieskiego, zielonego, żółtego  |  |   | światła niebieskiego, zielonego, żółtego  |                             |
| Fiolka olejku immersyjnego     | +   |  |   | +   |                             |
| Bezpiecznik                    | 2 szt.  |  |   | 2 szt.  |                             |
| Zasilanie                      | 100–240 V, przez zasilacz   |  |   | 100–240 V, przez zasilacz   |                             |
| Aparat cyfrowy                 | –   |  |   | 5,1 Mpx   | 5 Mpx s LCD obrazovkou      |
| Zasilanie aparatu              | –   |  |   | DC 5 V, przez USB 2.0   | DC 12 V/2 A, przez zasilacz |
| Akcesoria (sprzedawane osobno) | obiektywy <i>semiplanachromatyczne</i> : 4x, 10x, 20x, 40x, 60x, 100x (olejek immersyjny) |  |   | obiektywy <i>semiplanachromatyczne</i> : 4x, 10x, 20x, 40x, 60x, 100x (olejek immersyjny) |                             |
|                                | obiektywy <i>planarne</i> : 4x, 10x, 20x, 40x, 60x, 100x (olejek immersyjny)              |  |   | obiektywy <i>planarne</i> : 4x, 10x, 20x, 40x, 60x, 100x (olejek immersyjny)              |                             |
|                                | –   | okulary (D 23,2 mm): 5x, 12,5x, 16x, 20x               |   | okulary (D 23,2 mm): 5x, 12,5x, 16x, 20x  |                             |
|                                | kondensator ciemnego pola   |  |   | kondensator ciemnego pola   |                             |
|                                | –   | digitální fotoaparát                                   |   | –   |                             |

Levenhuk zastrzega sobie prawo do modyfikowania lub zakończenia produkcji dowolnego produktu bez wcześniejszego powiadomienia.



**Uwaga!** Prosimy pamiętać, że napięcie sieciowe w większości państw europejskich wynosi 220–240 V. Jeśli urządzenie ma być używane w państwie, w którym napięcie sieciowe ma inną wartość, należy koniecznie pamiętać o stosowaniu przetwornika. Mikroskop musi być uziemiony. Należy dopilnować, aby napięcie sieciowe odpowiadało napięciu podanemu na korpusie mikroskopu.

## Konserwacja i pielęgnacja

- Pod żadnym pozorem nie wolno kierować przyrządu bezpośrednio na słońce, światło laserowe lub inne źródło jasnego światła, ponieważ może to spowodować **TRWAŁE USZKODZENIE SIATKÓWKI** lub doprowadzić do **ŚLEPOTY**.
- Zachowaj szczególną ostrożność, gdy urządzenia używają dzieci lub osoby, które nie w pełni zapoznały się z instrukcjami.
- Po rozpakowaniu mikroskopu i przed jego pierwszym użyciem należy sprawdzić stan i prawidłowość podłączenia każdego elementu.
- Nie podejmuj prób samodzielnego demontażu urządzenia, nawet w celu wyczyszczenia lustra. W celu wszelkich napraw i czyszczenia skontaktuj się z punktem serwisowym.
- Chroń przyrząd przed upadkami z wysokości i działaniem nadmiernej siły mechanicznej. Nie należy używać nadmiernej siły podczas ustawiania ostrości. Nie należy dokręcać zbyt mocno śrub blokujących.
- Nie dotykaj powierzchni optycznych palcami. Do czyszczenia zewnętrznych powierzchni przyrządu używaj tylko specjalnych ściereczek i narzędzi do czyszczenia optyki Levenhuk. Nie czyść układu optycznego za pomocą środków żrących lub zawierających aceton.
- Cząsteczki ścierające, takie jak ziarna piasku, powinny być zdmuchiwane z powierzchni soczewek lub usuwane za pomocą miękkiej szcztotki.
- Nie wystawiaj przyrządu na długotrwałe działanie promieni słonecznych. Trzymaj z dala od wody. Nie należy przechowywać w warunkach wysokiej wilgoci.
- Podczas obserwacji należy zachować ostrożność. Po zakończeniu obserwacji załóż osłonę przeciwpyłową w celu zabezpieczenia mikroskopu przed kurzem i zanieczyszczeniami.
- W przypadku korzystania z mikroskopu przez dłuższy czas soczewki obiektywowe i okulary oraz mikroskop należy przechowywać osobno.
- Przyrząd powinien być przechowywany w suchym, chłodnym miejscu, z dala od kurzu, niebezpiecznych kwasów oraz innych substancji chemicznych, grzejników, otwartego ognia i innych źródeł wysokiej temperatury.
- Staraj się nie korzystać z mikroskopu w pobliżu łatwopalnych materiałów lub substancji (benzenu, papieru, kartonu, tworzywa sztucznego itp.), ponieważ nagrzewająca się podczas użytkowania podstawa może powodować ryzyko pożaru.
- Przed każdym otwarciem podstawy lub wymianą lampy odłączaj mikroskop od źródła zasilania. Przed wymianą lampy, niezależnie od jej rodzaju (halogenowa lub żarowa), zaczekaj, aż jej temperatura spadnie. Lampy wymieniaj zawsze na modele tego samego typu.
- Pamiętaj, aby moc zasilania była dopasowana do napięcia – jest ono podane w danych technicznych nowego mikroskopu. Podłączenie do gniazda zasilającego o innej mocy może spowodować uszkodzenie zespołu obwodów elektrycznych przyrządu, spalenie lampy, a nawet zwarcie.
- W przypadku połączenia małej części lub baterii należy natychmiast zwrócić się o pomoc medyczną.

## Gwarancja międzynarodowa Levenhuk

Wszystkie teleskopy, mikroskopy, lornetki i inne przyrządy optyczne Levenhuk, za wyjątkiem akcesoriów, posiadają **dożywotnią gwarancję** obejmującą wady materiałowe i wykonawcze. Dożywotnia gwarancja to gwarancja na cały okres użytkowania produktu. Wszystkie akcesoria Levenhuk są wolne od wad materiałowych i wykonawczych i pozostaną takie przez **dwa lata** od daty zakupu detalicznego. Firma Levenhuk naprawi lub wymieni produkty lub ich części, w przypadku których kontrola prowadzona przez Levenhuk wykaże obecność wad materiałowych lub wykonawczych. Warunkiem wywiązania się przez firmę Levenhuk z obowiązku naprawy lub wymiany produktu jest dostarczenie danego produktu firmie razem z dowodem zakupu uznawanym przez Levenhuk.

Niniejsza gwarancja nie obejmuje części eksploatacyjnych, takich jak żarówki (elektryczne, LED, halogenowe, energooszczędne i inne), baterie (akumulatory i zwykłe), akcesoria elektryczne itd.

Więcej informacji na ten temat znajduje się na stronie: [www.levenhuk.pl/gwarancja](http://www.levenhuk.pl/gwarancja)

W przypadku wątpliwości związanych z gwarancją lub korzystaniem z produktu, proszę skontaktować się z lokalnym przedstawicielem Levenhuk.

## Informações gerais

Leia o manual do utilizador cuidadosamente antes de começar a trabalhar com um microscópio. Os microscópios biológicos Levenhuk Série MED são seguros para a saúde, a vida e a propriedade do consumidor e do ambiente quando utilizados adequadamente e cumprem os requisitos das normas internacionais. Estes microscópios foram concebidos para observar objetos transparentes na luz transmitida utilizando o método de campo brilhante. Têm um bom desempenho em investigação e testes clínicos; demonstrações pedagógicas; bacterioscopia e citologia em estabelecimentos médicos e sanitários, laboratórios, universidades; e podem ser utilizados para investigação científica em agricultura e microbiologia.

## Montagem do microscópio

- Remova o microscópio da embalagem cuidadosamente e coloque-o numa superfície plana.
- Remova os sacos de plástico e a tampa à prova de poeira da cabeça da ocular.
- Instale a cabeça monocular, binocular ou o trinocular e aperte o parafuso de bloqueio.
- Inspeccione todos os itens incluídos no kit e defina o respetivo objetivo.
- Ligue o cabo de alimentação ao microscópio e ligue à tomada.

## Utilização

Consulte a Fig. 1a (modelo monocular), Fig. 1b (modelo binocular) e Fig. 1c (modelo trinocular).

- Ligue a energia e a iluminação acender-se-á. Defina o brilho em, aproximadamente, 70%. Coloque o espécime na lâmina. Certifique-se de que os cliques mantêm o espécime firmemente no local.
- O diafragma da íris deve ser ajustado de acordo com a abertura numérica de uma lente. A melhor prática é tornar o diafragma da íris ligeiramente mais pequeno do que a abertura da lente selecionada. Abra ou feche o diafragma da íris utilizando os parafusos de ajuste. Se o parafuso de ajuste for virado para a direita, o diafragma da íris fica totalmente aberto. **Nota:** o diafragma não se destina a ajustar o brilho da iluminação. Para ajustar o brilho, utilize a roda de ajuste do brilho.
- Deslize o suporte do filtro, coloque o filtro no mesmo e, em seguida, coloque o suporte na posição inicial.
- Para alterar a ampliação da objetiva, rode o revólver giratório até ouvir um clique.
- Certifique-se de que a lente não toca na amostra ao ajustar o foco: rode o botão de focagem grosseira até que o espécime esteja afastado da lente em, aproximadamente, 3,175 mm.
- Olhando para a ocular, rode lentamente o botão de focagem grosseira até ver a imagem do espécime observado. Rode o botão de focagem fina para tornar a imagem nítida. O mecanismo de focagem fina permite focar o espécime observado enquanto utiliza ampliações elevadas.
- Quando utiliza uma objetiva de imersão em óleo, o espaço entre o espécime e a lente deve ser preenchido com óleo de imersão. Levante o condensador para a posição superior e coloque uma gota de óleo na lente e no vidro de cobertura do espécime. Mova o revólver giratório para trás e para a frente para remover bolhas de ar no óleo. Em seguida, fixe a lente da objetiva na posição de trabalho. Certifique-se de que o óleo preenche todo o espaço entre a lente da objetiva e o espécime. Após a utilização, limpe a lente até secar.
- Para colocar o espécime no campo de visão, mova a lâmina para trás e para a frente ou para a esquerda e para a direita, utilizando o botão de deslocação da lâmina.
- Olhe através da ocular direita com o seu olho direito e ajuste a nitidez da imagem com os botões de focagem grosseira e fina. Modelos binocular e trinocular: Em seguida, olhe através da ocular esquerda com o seu olho esquerdo e gire o anel de ajuste de dioptria para equalizar a diferença entre a visão dos olhos esquerdo e direito. Lembre-se desta definição para utilização futura. Ajuste a distância entre os tubos oculares da cabeça binocular, de modo a que a imagem se funda num único círculo.
- Modelos trinoculares: pode instalar a câmara digital no terceiro tubo ocular.

## Substituição do fusível

Desligue o microscópio de uma fonte de alimentação. Abra o porta-fusíveis localizado na parte traseira do corpo do microscópio com uma chave de fendas de ponta plana. Remova o fusível antigo e instale um novo. Utilize apenas os tipos apropriados de fusíveis. Feche o porta-fusíveis.

## Câmara digital

Levenhuk MED D10T é fornecido com uma câmara digital (Fig. 2a), Levenhuk MED D10T LCD é fornecido com uma câmara digital com um ecrã LCD (Fig. 2b). Está instalada uma câmara digital no terceiro tubo ocular que permite observar espécimes no ecrã com detalhes refinados e cores verdadeiras, tirar fotografias e gravar vídeos, bem como guardar as imagens para referência futura.

## Especificações

| ID de produto                                 | 73983  | 73984  | 73985  | 73986  | 73987                                   |
|---|--|--|--|--|---|
| Modelo  | MED 10M  | MED 10B  | MED 10T  | MED D10T   | MED D10T LCD                            |
| Tipo  | biológico/ótico  |  |  | biológico/ótico, digital   |   |
| Método de investigação                        | campo brilhante  |  |  | campo brilhante  |   |
| Ampliação                                     | 40–1000x   |  |  | 40–1000x   |   |
| Distância interpupilar                        | –  | 48–75 mm   |  | 48–75 mm   |   |
| Cabeça da ocular                              | monocular, rotação de 360°, inclinação de 45°                          | binocular, rotação de 360°, inclinação de 30°    | trinocular, rotação de 360°, inclinação de 30° | trinocular, rotação de 360°, inclinação de 30°                         |   |
| Material ótico                                | vidro ótico com revestimento antifúngico                               |  |  | vidro ótico com revestimento antifúngico                               |   |
| Diâmetro do tubo ocular                       | 21 mm (interno), 26 mm (externo, com rosca)                            | 23,2 mm  |  | 23,2 mm  |   |
| Terceiro tubo ocular vertical                 | –  | 23,2 mm  |  | 23,2 mm  |   |
| Oculares                                      | WF10x/18 mm (1 pç)   | WF10x/18 mm (2 pcs)                              |  | WF10x/18 mm (2 pcs)  |   |
| Regulação de dioptria da ocular               | –  | ±5 D   |  | ±5 D   |   |
| Objetivas                                     | acromática: 4x, 10x, 40xs, 100xs (oil)                                 |  |  | acromática: 4x, 10x, 40xs, 100xs (oil)                                 |   |
| Revólver giratório                            | 4 objetivas  |  |  | 4 objetivas  |   |
| Alcance de deslocação da lâmina               | 70/50 mm   |  |  | 70/50 mm   |   |
| Lâmina  | camada dupla mecânica, 125x130mm, com balança mecânica                 |  |  | camada dupla mecânica, 125x130mm, com balança mecânica                 |   |
| Sistema de foco                               | coaxial, grosso (30 mm) e fino (0,002 mm)                              |  |  | coaxial, grosso (16 mm) e fino (0,002 mm)                              |   |
| Condensador                                   | Abbe N.A., 1,25-Irisblende und Filter, com altura ajustável            |  |  | Abbe N.A., 1,25-Irisblende und Filter, com altura ajustável            |   |
| Corpo   | metal  |  |  | metal  |   |
| Iluminação                                    | inferior (LED de 5 W) com ajuste de luminosidade                       |  |  | inferior (LED de 5 W) com ajuste de luminosidade                       |   |
| Filtros                                       | azul, amarelo, verde   |  |  | azul, amarelo, verde   |   |
| Frasco de óleo de imersão                     | +  |  |  | +  |   |
| Fusível                                       | 2 pcs  |  |  | 2 pcs  |   |
| Fonte de alimentação                          | 100–240 V, através do adaptador CA                                     |  |  | 100–240 V, através do adaptador CA                                     |   |
| Câmara digital                                | –  |  |  | 5,1 Mpx  | 5 Mpx com ecrã LCD                      |
| Fonte de alimentação da câmara                | –  |  |  | CC 5 V, através do cabo USB 2.0  | CC 12 V/2 A, através do adaptador de CA |
| Acessórios opcionais (vendidos separadamente) | <i>objetivas do semiplano: 4x, 10x, 20xs, 40xs, 60xs, 100xs (óleo)</i> |  |  | <i>objetivas do semiplano: 4x, 10x, 20xs, 40xs, 60xs, 100xs (óleo)</i> |   |
|   | <i>objetivas do plano: 4x, 10x, 20xs, 40xs, 60xs, 100xs (óleo)</i>     |  |  | <i>objetivas do plano: 4x, 10x, 20xs, 40xs, 60xs, 100xs (óleo)</i>     |   |
|   | –  | <i>oculares (D 23,2 mm): 5x, 12,5x, 16x, 20x</i> |  | <i>oculares (D 23,2 mm): 5x, 12,5x, 16x, 20x</i>                       |   |
|   | <i>condensador de campo escuro</i>                                     |  |  | <i>condensador de campo escuro</i>                                     |   |
|   | –  | <i>câmara digital</i>                            |  | –  |   |

Levenhuk se reserva no direito de fazer alterações na variedade e nas especificações dos produtos sem notificação prévia.



**Atenção!** Lembre-se que a voltagem na maioria dos países europeus é 220–240 V. Se você quiser usar seu dispositivo em um país com voltagem padrão diferente, lembre-se que o uso de um transformador é absolutamente necessário. O microscópio tem de ser ligado à terra. Certifique-se de que a tensão principal corresponde à tensão indicada no corpo do microscópio.

## Cuidado e manutenção

- **Nunca, em qualquer circunstância, olhe diretamente para o Sol, ou para outra fonte de luz intensa, ou para um laser através deste dispositivo, pois isso pode causar DANOS PERMANENTES À RETINA e pode levar à CEGUEIRA.**
- Tome as precauções necessárias quando usar o dispositivo com crianças, ou com outras pessoas que não leram, ou não compreenderam totalmente estas instruções.
- Após desembalar o microscópio e antes de utilizá-lo pela primeira vez, verifique a integridade e a durabilidade de todos os componentes e ligações.
- Não tente desmontar o dispositivo por conta própria por qualquer motivo. Para fazer consertos de qualquer tipo, por favor entre em contato com seu centro de serviços especializados.
- Proteja o dispositivo de impactos súbitos e de força mecânica excessiva. Não aplique pressão excessiva quando estiver ajustando o foco. Não aperte demais os parafusos de bloqueio.
- Não toque nas superfícies ópticas com seus dedos. Para limpar o exterior do dispositivo, use apenas lenços especiais para limpeza e ferramentas especiais de limpeza óptica da Levenhuk. Não utilize fluidos corrosivos, nem baseados em acetona para limpar as partes ópticas.
- Partículas abrasivas, como areia, não devem ser removidas com um pano. Em vez disso, sobre-as, ou retire-as com um pincel suave.
- Não use o dispositivo por períodos de tempo muito longos, nem o deixe abandonado sob a luz direta do Sol. Mantenha longe de água e alta umidade.
- Tenha cuidado durante as suas observações, substitua sempre a capa protetora antipoeira quando concluir as observações de modo a proteger o equipamento contra poeiras e manchas.
- Se não utilizar o microscópio durante muito tempo, guarde as objetivas e os oculares separadamente do microscópio.
- Guarde o dispositivo em um local seco e fresco, longe de ácidos perigosos e outros produtos químicos, de aquecedores, de fogo e de outras fontes de altas temperaturas.
- Ao utilizar o microscópio, não o faça próximo de materiais ou substâncias inflamáveis (benzeno, papel, cartão, plástico, etc.), uma vez que a base pode aquecer durante o uso e provocar um incêndio.
- Desligue sempre o microscópio de uma fonte de alimentação antes de abrir a base ou mudar de lâmpada de iluminação. Independentemente do tipo de lâmpada (halógena ou incandescente), deixe arrefecer durante algum tempo antes de a substituir por uma lâmpada do mesmo tipo.
- Utilize sempre a fonte de alimentação com uma tensão adequada, isto é, indicada nas especificações do novo microscópio. A ligação do equipamento a uma tomada diferente pode danificar o circuito elétrico do microscópio, fundir a lâmpada ou provocar um curto-circuito.
- **Procure um médico imediatamente se uma peça pequena ou uma pilha for engolida.**

## Garantia vitalícia internacional Levenhuk

Todos os telescópios, microscópios, binóculos ou outros produtos ópticos Levenhuk, exceto seus acessórios, são acompanhados de **garantia vitalícia** contra defeitos dos materiais e acabamento. A garantia vitalícia é uma garantia para a vida útil do produto no mercado. Todos os acessórios Levenhuk têm garantia de materiais e acabamento livre de defeitos por **dois anos** a partir da data de compra. A Levenhuk irá reparar ou substituir o produto ou sua parte que, com base em inspeção feita pela Levenhuk, seja considerado defeituoso em relação aos materiais e acabamento. A condição para que a Levenhuk repare ou substitua tal produto é que ele seja enviado à Levenhuk juntamente com a nota fiscal de compra.

Esta garantia não cobre partes consumíveis, tais como lâmpadas (elétricas, de LED, de halógeno, econômicas e outros tipos de lâmpadas), baterias (recarregáveis e não recarregáveis), consumíveis elétricos etc.

Para detalhes adicionais, visite nossa página na internet: [www.levenhuk.eu/warranty](http://www.levenhuk.eu/warranty)

Se surgirem problemas relacionados à garantia ou se for necessária assistência no uso do produto, contate a filial local da Levenhuk.



## Общая информация

Внимательно изучите инструкцию по эксплуатации, прежде чем приступить к работе с микроскопом. Биологические микроскопы серии Levenhuk MED безопасны для здоровья, жизни, имущества потребителя и окружающей среды при правильной эксплуатации и соответствуют требованиям международных стандартов. Модели предназначены для изучения прозрачных образцов в проходящем свете по методу светлого поля. Они применяются в разных научных областях — для клинических исследований и испытаний, для обучающих демонстраций, для бактериоскопии и цитологии в институтах и университетах, медицинских и оздоровительных учреждениях, научно-исследовательских институтах, департаментах лесного и сельского хозяйства и т. п.

## Сборка

- Аккуратно распакуйте микроскоп и установите его на ровную поверхность.
- Снимите упаковку и пластиковую защиту с окулярной насадки.
- Установите монокулярную, бинокулярную или тринокулярную насадку на корпус и затяните фиксатор.
- Осмотрите все элементы, входящие в комплект поставки, установите их назначение.
- Подключите к микроскопу сетевой шнур и включите его в сеть.

## Использование

Рассмотрите рисунки 1a (монокулярная модель), 1b (бинокулярная модель) и 1c (тринокулярная модель).

- Включите питание, загорится подсветка. Настройте яркость так, чтобы она составляла около 70%. Положите препарат на предметный столик. Убедитесь, что зажимы надежно держат препарат.
- Ирисовую диафрагму необходимо настраивать в соответствии с разными цифровыми апертурами разных объективов. Лучше всего настроить ирисовую диафрагму таким образом, чтобы ее диаметр был немного меньше апертуры выбранного объектива. Откройте/закройте ирисовую диафрагму с помощью ручки регулировки. Если ручка повернута вправо, ирисовая диафрагма полностью открыта. Примечание: диафрагма не регулирует яркость подсветки. Чтобы отрегулировать яркость подсветки, используйте регулятор яркости подсветки.
- Сдвиньте держатель фильтра, поместите в него необходимый фильтр и затем верните держатель в начальное положение.
- Чтобы сменить увеличение объектива, поверните револьверное устройство до щелчка.
- При регулировке фокуса, чтобы объектив не касался образца, поворачивайте ручку грубой фокусировки, пока образец не окажется на расстоянии примерно 3,175 мм (1/8") от объектива.
- Наблюдая в окуляр, медленно поверните ручку грубой фокусировки до тех пор, пока не появится изображение наблюдаемого препарата. Поверните ручку тонкой фокусировки так, чтобы изображение стало четким. При работе с высокими увеличениями механизм тонкой фокусировки позволит четко сфокусироваться на наблюдаемом препарате.
- При использовании масляного объектива следует заполнить пространство между поверхностью исследуемого образца и лицевой поверхностью объектива иммерсионным маслом. Поднимите конденсор в верхнее положение и капните немного масла на объектив и покровное стекло препарата. Поверните револьверное устройство вперед и назад несколько раз, чтобы избавиться от пузырьков воздуха в масле. Затем зафиксируйте объектив в рабочем положении. Убедитесь, что масло заполняет все пространство между объективом и препаратом. После использования протрите масляный объектив насухо.
- Поворачивая ручку для перемещения столика по горизонтали вперед-назад и вправо-влево, вы сможете поместить препарат в центр поля зрения окуляра.
- Наблюдая правым глазом в окуляр, установленный в правый окулярный тубус, настройте резкость изображения при помощи ручек грубой и тонкой фокусировки. Для бинокулярных и тринокулярных моделей: затем, наблюдая левым глазом в левый окулярный тубус, вращайте кольцо диоптрийной настройки, чтобы устранить разницу в изображении для левого и правого глаза. Запомните настройку для использования в дальнейшем. Настройте расстояние между осями окулярных тубусов бинокулярной насадки таким образом, чтобы при наблюдении двумя глазами изображение сливалось в единую окружность.
- Для тринокулярных моделей: вы можете установить цифровую камеру в третью окулярную трубку.

## Замена предохранителя

Отключите микроскоп от сети. Откройте держатель предохранителя в задней части микроскопа при помощи отвертки с прямым шлицем. Выньте старый предохранитель и установите новый. Используйте только соответствующие предохранители. Закройте держатель предохранителя.

## Цифровая камера

Модель Levenhuk MED D10T комплектуется цифровой камерой (рис. 2a), модель Levenhuk MED D10T LCD комплектуется цифровой камерой с ЖК-экраном (рис. 2b). Цифровая камера устанавливается в третью окулярную трубку и позволяет наблюдать препараты в мельчайших деталях и реальном цвете на экране, снимать фото и видео, а также сохранять полученные изображения для дальнейшего использования.

## Технические характеристики

| Артикул  | 73983  | 73984  | 73985   | 73986  | 73987                           |
|--|--|--|---|--|---------------------------------|
| Модель   | MED 10M  | MED 10B  | MED 10T   | MED D10T   | MED D10T LCD                    |
| Тип микроскопа                                     | биологические/световые   |  |   | биологические/световые, цифровые   |                                 |
| Метод исследования                                 | светлое поле   |  |   | светлое поле   |                                 |
| Увеличение   | 40–1000 крат   |  |   | 40–1000 крат   |                                 |
| Межзрачковое расстояние                            | –  | 48–75 мм   |   | 48–75 мм   |                                 |
| Насадка  | монокулярная, поворотная на 360°, с наклоном 45°                                     | бинокулярная, поворотная на 360°, с наклоном 30° | тринокулярная, поворотная на 360°, с наклоном 30° | тринокулярная, поворотная на 360°, с наклоном 30°                                    |                                 |
| Материал оптики                                    | оптическое стекло с антигрибковым покрытием  |  |   | оптическое стекло с антигрибковым покрытием  |                                 |
| Диаметр окулярной трубки                           | 21 мм (внутренний), 26 мм (внешний, с резьбой)                                       | 23,2 мм  |   | 23,2 мм  |                                 |
| Диаметр третьей вертикальной окулярной трубки      | –  | 23,2 мм  |   | 23,2 мм  |                                 |
| Окуляры  | WF10x/18 мм (1 шт.)  | WF10x/18 мм (2 шт.)                              |   | WF10x/18 мм (2 шт.)  |                                 |
| Диоптрийная коррекция окуляров                     | –  | ±5 D   |   | ±5 D   |                                 |
| Объективы  | ахроматические: 4x, 10x, 40xs, 100xs (масляный)                                      |  |   | ахроматические: 4x, 10x, 40xs, 100xs (масляный)                                      |                                 |
| Револьверное устройство                            | на 4 объектива   |  |   | на 4 объектива   |                                 |
| Диапазон перемещения предметного столика           | 70/50 мм   |  |   | 70/50 мм   |                                 |
| Предметный столик                                  | механический двухслойный, 125x130 мм, с препаратодителем                             |  |   | механический двухслойный, 125x130 мм, с препаратодителем                             |                                 |
| Фокусировка  | коаксиальная, грубая (30 мм) и точная (0,002 мм)                                     |  |   | коаксиальная, грубая (30 мм) и точная (0,002 мм)                                     |                                 |
| Конденсор  | Аббе N.A. 1,25 с ирисовой диафрагмой и держателем фильтра                            |  |   | Аббе N.A. 1,25 с ирисовой диафрагмой и держателем фильтра                            |                                 |
| Корпус   | металл   |  |   | металл   |                                 |
| Подсветка  | нижняя, светодиодная (5 Вт) с регулировкой яркости                                   |  |   | нижняя, светодиодная (5 Вт) с регулировкой яркости                                   |                                 |
| Светофильтры                                       | синий, зеленый, желтый   |  |   | синий, зеленый, желтый   |                                 |
| Иммерсионное масло                                 | +  |  |   | +  |                                 |
| Предохранитель                                     | 2 шт.  |  |   | 2 шт.  |                                 |
| Источник питания                                   | 100–240 В, через сетевой адаптер   |  |   | 100–240 В, через сетевой адаптер   |                                 |
| Камера   | –  |  |   | 5,1 Мпикс  | 5 Мпикс с ЖК-экраном            |
| Источник питания камеры                            | –  |  |   | 5 В, через USB-кабель  | 12 В/2 А, через сетевой адаптер |
| Дополнительные аксессуары (приобретаются отдельно) | <i>полупланахроматические объективы: 4x, 10x, 20xs, 40xs, 60xs, 100xs (масляный)</i> |  |   | <i>полупланахроматические объективы: 4x, 10x, 20xs, 40xs, 60xs, 100xs (масляный)</i> |                                 |
|  | <i>планахроматические объективы: 4x, 10x, 20xs, 40xs, 60xs, 100xs (масляный)</i>     |  |   | <i>планахроматические объективы: 4x, 10x, 20xs, 40xs, 60xs, 100xs (масляный)</i>     |                                 |
|  | –  | <i>окуляры (D 23,2 мм): 5x, 12,5x, 16x, 20x</i>  |   | <i>окуляры (D 23,2 мм): 5x, 12,5x, 16x, 20x</i>                                      |                                 |
|  | <i>конденсор темного поля</i>  |  |   | <i>конденсор темного поля</i>  |                                 |
|  | –  | <i>цифровая камера</i>                           |   | –  |                                 |

Компания Levenhuk оставляет за собой право вносить любые изменения или прекращать производство изделия без предварительного уведомления.



**Внимание!** Помните, что напряжение сети в России и большинстве европейских стран составляет 220–240 В. Если вы хотите использовать устройство в стране с другим стандартом сетевого напряжения, необходимо включать его в розетку только через соответствующий конвертер (преобразователь напряжения). Микроскоп должен быть заземлен. Убедитесь, что напряжение сети соответствует напряжению, указанному на корпусе микроскопа.

## Уход и хранение

- **Никогда не смотрите в прибор на солнце, на источник яркого света и лазерного излучения – ЭТО ОПАСНО ДЛЯ ЗРЕНИЯ И МОЖЕТ ПРИВЕСТИ К СЛЕПОТЕ!**
- Будьте внимательны, если пользуетесь прибором вместе с детьми или людьми, не ознакомленными с инструкцией.
- После вскрытия упаковки и установки микроскопа проверьте каждый компонент.
- Не разбирайте прибор. Сервисные и ремонтные работы могут проводиться только в специализированном сервисном центре.
- Оберегайте прибор от резких ударов и чрезмерных механических воздействий. Не прикладывайте чрезмерных усилий при настройке фокуса. Не затягивайте стопорные и фиксирующие винты слишком туго.
- Не касайтесь пальцами поверхностей линз. Для внешней очистки прибора используйте специальную салфетку и специальные чистящие средства Levenhuk для чистки оптики. Не используйте для чистки средства с абразивными или коррозионными свойствами и жидкости на основе ацетона.
- Абразивные частицы (например, песок) следует не стирать, а сдувать или смахивать мягкой кисточкой.
- Не подвергайте прибор длительному воздействию прямых солнечных лучей. Не используйте прибор в условиях повышенной влажности и не погружайте его в воду.
- Работайте с микроскопом аккуратно, надевайте на него пылезащитный чехол после работы, чтобы защитить его от пыли и масляных пятен.
- Если объективы и окуляры не используются долгое время, храните их упакованными в сухую коробку, отдельно от микроскопа.
- Храните прибор в сухом прохладном месте, недоступном для пыли, влияния кислот или других активных химических веществ, вдали от отопителей (бытовых, автомобильных), открытого огня и других источников высоких температур.
- Не используйте микроскоп рядом с воспламеняемыми материалами, так как основание микроскопа может нагреться во время работы.
- Всегда отключайте микроскоп от электросети, прежде чем открывать батарейный отсек или менять лампу подсветки. Перед заменой лампы дайте ей остыть и всегда меняйте ее на лампу того же типа.
- Используйте источник питания, соответствующий напряжению сети, иначе может сгореть лампа, повредиться электросхема микроскопа или произойти короткое замыкание.
- Если деталь прибора или элемент питания были проглочены, срочно обратитесь за медицинской помощью.

## Международная пожизненная гарантия Levenhuk

Компания Levenhuk гарантирует отсутствие дефектов в материалах конструкции и дефектов изготовления изделия. Продавец гарантирует соответствие качества приобретенного вами изделия компании Levenhuk требованиям технической документации при соблюдении потребителем условий и правил транспортировки, хранения и эксплуатации изделия. Срок гарантии: на аксессуары – **6 (шесть) месяцев** со дня покупки, на остальные изделия – **пожизненная гарантия** (действует в течение всего срока эксплуатации прибора).

Гарантия не распространяется на комплектующие с ограниченным сроком использования, в том числе лампы (накаливания, светодиодные, галогенные, энергосберегающие и прочие типы ламп), электрокомплектующие, расходные материалы, элементы питания и прочее.

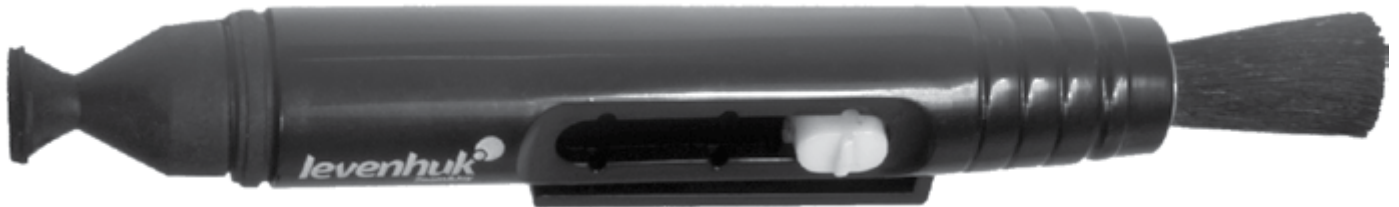
Подробнее об условиях гарантийного обслуживания см. на сайте [www.levenhuk.ru/support](http://www.levenhuk.ru/support)

По вопросам гарантийного обслуживания вы можете обратиться в ближайшее представительство компании Levenhuk.

The original Levenhuk cleaning accessories



## Levenhuk Cleaning Pen LP10



Removes dust with a brush  
The soft tip is treated with a special cleaning fluid that removes greasy stains  
Does not damage optical coatings of the lenses  
Leaves no smudges or stains

### Levenhuk Worldwide:

USA: [www.levenhuk.com](http://www.levenhuk.com)  
Azerbaijan: [www.levenhuk.az](http://www.levenhuk.az)  
Bulgaria: [www.levenhuk.bg](http://www.levenhuk.bg)  
Canada: [www.levenhuk.ca](http://www.levenhuk.ca)  
Czech Rep.: [www.levenhuk.cz](http://www.levenhuk.cz)  
Estonia: [www.levenhuk.ee](http://www.levenhuk.ee)

Finland: [fi.levenhuk.com](http://fi.levenhuk.com)  
Germany: [www.levenhuk.de](http://www.levenhuk.de)  
Hungary: [www.levenhuk.hu](http://www.levenhuk.hu)  
Iceland: [www.levenhuk.is](http://www.levenhuk.is)  
India: [www.levenhuk.in](http://www.levenhuk.in)  
Italy: [www.levenhuk.it](http://www.levenhuk.it)

Latvia: [www.levenhuk.lv](http://www.levenhuk.lv)  
Lithuania: [www.levenhuk.lt](http://www.levenhuk.lt)  
Netherlands: [www.levenhuk.nl](http://www.levenhuk.nl)  
Poland: [www.levenhuk.pl](http://www.levenhuk.pl)  
Romania: [www.levenhuk.ro](http://www.levenhuk.ro)  
Russia: [www.levenhuk.ru](http://www.levenhuk.ru)

Slovakia: [www.levenhuk.sk](http://www.levenhuk.sk)  
Spain: [www.levenhuk.es](http://www.levenhuk.es)  
Turkey: [tr.levenhuk.com](http://tr.levenhuk.com)  
Ukraine: [www.levenhuk.ua](http://www.levenhuk.ua)  
United Kingdom: [www.levenhuk.uk](http://www.levenhuk.uk)  
EU: [www.levenhuk.eu](http://www.levenhuk.eu)

**levenhuk.com**

Levenhuk USA: 928 E 124th Ave. Ste D, Tampa, FL 33612, USA, +1 813 468-3001, [contact\\_us@levenhuk.com](mailto:contact_us@levenhuk.com)  
Levenhuk Europe: V Chotejně 700/7, 102 00 Prague 102, Czech Republic, +420 737-004-919, [sales-info@levenhuk.cz](mailto:sales-info@levenhuk.cz)  
Levenhuk® is a registered trademark of Levenhuk, Inc.  
© 2006–2021 Levenhuk, Inc. All rights reserved.  
20210217

**levenhuk**  
Zoom&Joy